

Eaton® 93ETX UPS

20-80 kVA

安裝與操作手冊



EATON

Powering Business Worldwide

感謝您使用伊頓產品!

請嚴格遵守本手冊中和機器上的所有警告及操作說明，並妥善保管本手冊。在沒有閱讀完所有的安全說明和操作說明以前，請不要操作本機。

本手冊適用於93ETX系列產品，包括：

93ETX 20kVA

93ETX 30kVA

93ETX 40kVA

93ETX 50kVA

93ETX 60kVA

93ETX 80kVA

重要安全說明

請保存好這些說明

本手冊包含安裝和維護UPS和電池時應遵守的重要說明。請在開始操作設備前閱讀所有說明，並妥善保存此手冊，以備將來查詢。



警告

根據 GB 7260.2-2009，本產品適用於第二環境商業和工業應用。為避免電磁干擾，可能需要採取安裝限制或額外措施。

© 2024 年伊頓公司

保留所有權利

本手冊內所包含的所有內容屬於 Eaton 公司所有，未經許可，不得複製（或摘錄）。本公司致力於技術創新，不斷提供更好的產品和服務滿足客戶需求，對產品設計，技術規格的升級，恕不另行通知。產品以實物為準。

EATON CORPORATION END USER LICENSE AGREEMENT FOR 93ETX 20-80kVA UPS

伊頓公司[93ETX 20-80kVA UPS]使用者授權合約

This End User License Agreement (the "Agreement") is a legal agreement between you and the Contracting Entity (as defined below). For the purposes of this Agreement, any reference to "Eaton" shall include the Contracting Entity, its holding company, its affiliates and subsidiaries. This Agreement, and any other terms or conditions notified to you, governs your access to and use of 93ETX 20-80K UPS (the "Product Software").

本使用者授權合約（“本協議”）為您和締約主體（定義見下文）之間的法律協議。為本協定之目的，凡提及“伊頓”應包括締約主體、其控股公司、其關聯公司和子公司。本協議以及通知給您的任何其他條款或條件約束您對[93ETX20-80kVA UPS]（“產品軟體”）的訪問和使用。

Your use of the Product Software is subject to the terms of this Agreement as set out below and any other terms or conditions of the Product Software which may be notified to you from time to time.

您對產品軟體的使用受限於本協議的下述條款，以及我們可能不時通知您的關於產品軟體的任何其他條款或條件。

By using the Product Software, you agree to us collecting and using anonymised technical information about the devices you use the Product Software on and related software, hardware and peripherals to improve our products and to provide any services to you.

您使用產品軟體，即表示您同意我們收集並使用關於您使用產品軟體的設備以及相關軟體、硬體和週邊設備的匿名技術資訊，以改進我們的產品並向您提供服務。

By using the Product Software, you agree to the terms of this Agreement. Your right to use the Product Software is expressly conditioned on acceptance of this Agreement.

一旦您使用產品軟體，即表示您同意本協議的條款。您使用產品軟體的權利明確以您接受本協議為前提條件。

1. INFORMATION ABOUT US

關於我們的資訊

1.1 EATON POWER QUALITY (SHANGHAI) CO., LTD. is registered in PRC and has its registered address at [B5, No. 76, Ribin Road, China (Shanghai) Pilot Free Trade Zone] (the "Contracting Entity").

伊頓電源（上海）有限公司在中國註冊（公司註冊號[310115400090977]），其註冊地址為[中國（上海）自由貿易試驗區日濱路76號B5部位]（“締約主體”）。

1.2 If you have any questions about this Agreement, the Privacy Statement or any other terms or conditions in connection with the Product Software, please contact us at dataprotection@eaton.com.

如果您對本協定、隱私權聲明或任何其他與產品軟體相關的條款或條件有任何疑問，請通過 dataprotection@eaton.com 與我們聯繫。

2. DEFINITIONS

定義

2.1 In this Agreement the following expressions shall have the following

meanings:在本協議中，下列表述應具有以下含義：

| | |
|--------------------------------|--|
| “Arbitrator” | has the meaning as defined in Clause 28.2; |
| “仲裁員” | 具有第28.2條中所定義的含義； |
| “Business Day” | means a calendar day other than a Saturday, Sunday, Bank Holiday or other statutory holiday in the jurisdiction in which the Contracting Entity is registered; |
| “工作日” | 指在締約主體註冊的司法管轄區內除星期六、星期日、銀行假日或其他法定假日以外的任何西曆日； |
| “Contracting Entity” | has the meaning as defined in Clause 1.1; |
| “締約主體” | 具有第1.1條中所定義的含義； |
| “Credentials” | has the meaning as defined in Clause |
| 3.7; “資格證書” | 具有第3.7條中所定義的含義； |
| “Dispute” | means any claim, dispute or difference arising under or in connection with this Agreement; |
| “爭議” | 指在本協議項下發生的或與本協定有關的任何權利主張、爭議或分歧； |
| “Documentation” | means any tutorials, user guides and other documents accompanying or made available with the Product Software solely for your own internal business purposes; |
| “文件” | 指僅為您自身內部業務之目的，產品軟體附帶的或與產品軟體一起提供的任何教程、使用者指南和其他檔； |
| “Eaton Hardware” | means the Eaton product provided by Eaton to you, which may include Product Software within it; |
| “伊頓硬體” | 指由伊頓提供給您的伊頓產品，其中可能包括產品軟體； |
| “Eaton Open Source Components” | has the meaning as defined in Clause 10.1; |
| “伊頓開源元件” | 具有第10.1條所定義的含義； |
| “Eaton Website” | has the meaning as defined in Clause 16.1; |
| “伊頓網站” | 具有第16.1條所定義的含義； |
| “Effective Date” | means the date upon which you agree to abide by the terms and conditions of this Agreement; |
| “生效日期” | 指您同意遵守本協議條款和條件的日期； |
| “Export Laws” | has the meaning as defined in Clause |
| 27.1; “出口法” | 具有第27.1條所定義的含義； |
| “Fees” | has the meaning as defined in Clause 11.1; |
| “費用” | 具有第11.1條所定義的含義； “Feedback” |
| | has the meaning as defined in Clause |
| 21.2; “回饋” | 具有第21.2條所定義的含義； |
| “Force Majeure Event” | has the meaning as defined in Clause 25.1; |
| “不可抗力事件” | 具有第25.1條所定義的含義； |
| “GDPR” | has the meaning as defined in Clause 19.1; |
| “GDPR” | 具有第19.1條所定義的含義； |
| “Indemnified Parties” | has the meaning as defined in Clause |
| 15.1; “受償方” | 具有第15.1條所定義的含義； |

| | |
|--------------------------------|---|
| “Intellectual Property Rights” | means any ideas (whether or not patentable), inventions, discoveries, processes, works of authorship, marks, names, know-how, and any and all rights in such materials throughout the world, whether existing under statute, common law or equity, now or hereinafter recognized, including but not limited to (i) patents, designs, inventor’ s certificates, utility models, copyrights, moral rights, trade secrets, mask works, trade names and marks, service marks, trade dress, domain names, confidential information and know-how; (ii) any application or right to apply for any of the rights referred to in section (i); and (iii) all renewals, extensions, and restorations, now or hereinafter in force and effect for any of the rights referred to in section (i); |
| “智慧財產權” | 指世界各地的任何創意（無論是否可申請專利）、發明、發現、流程、著作權作品、標誌、名稱、專有技術以及該等材料中的任何和所有權利，無論是在成文法、普通法或衡平法項下存在，此處或下文承認，包括但不限於：（i）專利、設計、發明人證書、實用新型、著作權、人身權、商業秘密、掩膜作品、商號和商標、服務商標、商業外觀、功能變數名稱、保密資訊和專有技術；（ii）第（i）節所述的任何權利的任何申請或申請權；及（iii）第（i）節所述的任何權利的當前或此後有效的所有續期、延期和恢復； |
| “Materials” | has the meaning as defined in Clause 21.4; |
| “材料” | 具有第21.4條所定義的含義； |
| “Product Software” | means the software provided by Eaton to you, which includes any applications, firmware and/or platforms provided to you from time to time; |
| “產品軟體” | 指伊頓向您提供的軟體，包括不時向您提供的任何應用程式、固件和/或平臺； |
| “Support Services” | has the meaning defined in Clause 12.1; |
| “支援服務” | 具有第12.1條所定義的含義； |
| “Third Party Licensors” | has the meaning as defined in Clause 9.1; |
| “協力廠商許可人” | 具有第9.1條所定義的含義； |
| “Third Party Links and Ads” | has the meaning as defined in Clause 23.1; |
| “協力廠商連結和廣告” | 具有第23.1條所定義的含義； |
| “Third-Party Providers” | has the meaning as defined in Clause 21.5; |
| “協力廠商提供者” | 具有第21.5條所定義的含義； |
| “Updates” | has the meaning as defined in Clause 6.1. |
| “更新” | 具有第6.1條所定義的含義； |

3. GRANT AND SCOPE OF LICENSE

許可的授予與範圍

- 3.1 In consideration of you agreeing to abide by the terms of this Agreement, Eaton hereby grants to you, a limited, non- exclusive, non-transferable, non-sub-licensable, and revocable license to access and use the Product Software with the Eaton Hardware, which is provided to you for your own internal business purposes, solely for your use as permitted in these terms.

鑒於您同意遵守本協議的條款，伊頓特此授予您有限的、非獨家的、不可轉讓的、不可再許可的和可撤銷的許可，以訪問和使用與伊頓硬體一起的產品軟體，該產品軟體是為您自己的內部商業目的提供的，僅供您在本條款中允許的範圍內使用。

- 3.2 Subject to the limited rights expressly granted above, Eaton and its licensors or suppliers reserve all right, title and interest in and to the Product Software, its underlying technology and all Intellectual Property Rights therein. You acknowledge that no licenses or rights are granted to you by implication or otherwise in respect of the Product Software, other than those expressly set forth in this Agreement. You agree not to remove, change or obscure any Intellectual Property Rights notices incorporated in or accompanying the Product Software. You agree to abide by all applicable national and international laws in connection with the use of the Product Software, including those related to cybersecurity and piracy, data protection, privacy, international communications and the transmission of technical or personal data.

除上述明確授予的有限權利外，伊頓及其許可人或供應商保留對產品軟體、其基礎技術和其中的所有智慧財產權的所有權利、所有權和利益。您承認，除本協議中明確規定的權利外，沒有通過暗示或其他方式向您授予與產品軟體有關的任何許可或權利。您同意不刪除、改變或隱藏產品軟體中包含的或附帶的任何智慧財產權通知。您同意遵守與使用產品軟體有關的所有適用的國家和國際法律，包括與網路安全和盜版、資料保護、隱私、國際通訊和技術或個人資料的傳輸有關的法律。

- 3.3 Eaton may make services available to you that are provided, in whole or in part, by other parties. Although Eaton may offer this opportunity, you acknowledge that any third party services that you use in connection with the Product Software are not part of the Product Software. You further acknowledge that these terms do not apply to any third party service providers and that your use of those services may require you to agree to additional terms with the third party service provider.

伊頓可能向您提供全部或部分由其他方提供的服務。儘管伊頓可能會提供這種機會，但您承認，您使用的與產品軟體相關的任何協力廠商服務不是產品軟體的組成部分。您進一步承認，這些條款不適用於任何協力廠商服務提供者，您對這些服務的使用可能需要您與協力廠商服務提供者達成額外的條款。

- 3.4 You shall as soon as reasonably practicable notify Eaton in writing by email or by phone to the relevant contact information provided in the "contact us" section below if you become aware of any use of the Product Software other than in accordance with this Agreement and all applicable laws, rules and regulations. Without limiting the generality of the foregoing, you shall notify, and shall promptly notify, Eaton if you become aware of any third party that does or attempts to:

(i) de-compile or reverse engineer the Product Software; (ii) sell, re-license, distribute or commercially exploit the Product Software; (iii) except as expressly permitted by this Agreement, make the Product Software available through any means or media without the prior written approval of Eaton; (iv) except as expressly permitted by this Agreement, copy, modify, publish, transmit, participate in the license or re-license, transfer or sale of, reproduce, create derivative works from, distribute, perform, display or in any way exploit the Product Software, in whole or in part, without the prior written consent of Eaton; and (v) engage in any activity that interferes with or disrupts the Product Software (or the servers and networks connected to the Product Software).

如果您意識到對產品軟體的任何使用不符合本協議和所有適用的法律、法規和規章，您應在合理可行的情況下儘快根據以下“聯繫我們”部分提供的相關聯繫資訊，以電子郵件或電話的方式書面通知伊頓。在不限制上述規定的一般性的前提下，如果您發現有任何協力廠商進行或試圖進行以下行為，您應及時通知伊頓：(i) 對產品軟體進行反向編譯或反向工程；(ii) 對產品軟體進行出售、重新許可、分發或商業利用；(iii) 除本協定明確允許的情況外，未經伊頓事先書面批准，通過任何方式或媒體提供產品軟體；(iv) 除本協議明確允許外，未經伊頓事先書面同意，複製、修改、出版、傳送、參與許可或重新許可、轉讓或銷售、再現、創造衍生作品、分發、執行、展示或以任何方式利用全部或部分產品軟體；以及(v) 從事任何干擾或破壞產品軟體（或與產品軟體相連的伺服器 and 網路）的活動。

- 3.5 You shall not make more than one (1) copy of the Product Software and such copy is to be made solely for backup and/or archival purposes. You shall account for and number any such copy. All titles, trademarks, copyright and restricted rights or proprietary notices included in the Product Software shall not be removed and must be reproduced in such copy.

您不得製作超過一（1）份產品軟體的副本，且此類副本僅用於備份和/或存檔目的。您應當對任何此類副本進行說明和編號。所有包含在產品軟體中的標題、商標、版權和限制性權利或所有權聲明都不得被刪除，並且必須在此類副本中再現。

- 3.6 You shall not make more than one (1) copy of the Documentation for use by you in connection with the authorized use of the Product Software and you shall account for and number any such copy. All titles, trademarks, copyright and restricted rights or proprietary notices included in the Documentation shall not be removed and must be reproduced in such copy.

您不得製作超過一（1）份檔的副本，供您在授權使用產品軟體時使用，並且您應對任何此類副本進行說明和編號。所有包含在檔中的標題、商標、版權和限制性權利或所有權聲明不得被刪除，並且必須在此類副本中再現。

- 3.7 You may be required to register to use the Product Software. If so, you must have a valid account with a username and password ("Credentials"). You may register for such Credentials at the direction(s) provided with the Product Software or by an authorized Eaton representative. The date of registration shall be the Effective Date of this Agreement. You are responsible for maintaining the confidentiality of your Credentials, and for ensuring that each password is only used by employees granted access to the Product Software on your behalf. You are liable for all transactions and other activities carried out under your Credentials. You agree to promptly notify Eaton if any password is lost, stolen, disclosed to an unauthorized party, or otherwise may have been compromised. You agree to immediately notify Eaton of any unauthorized use of your account or any other breach of security in relation to the Product Software known to you. Eaton shall have no liability for any loss or damage arising from your failure to comply with these requirements or any other losses arising from such unauthorized access. If Eaton suspends or terminates your account under this Agreement, you acknowledge that all information and content associated with such account will no longer be available to you.

您可能被要求註冊以使用產品軟體。如果是這樣，您必須擁有一個帶有用戶名和密碼的有效帳戶（"資格證書"）。您可以按照產品軟體提供的指導或由授權的伊頓公司代表註冊該資格證書。註冊日期應是本協議的生效日期。您有責任維護您的資格證書的機密性，並確保每個密碼僅由代表您獲准訪問產品軟體的雇員使用。您對以您的資格證書進行的所有交易和其他活動負責。您同意在任何密碼丟失、被盜、被透露給未經授權的一方或在其他方面可能受到損害時及時通知伊頓。您同意在您的帳戶被擅自使用或您所知道的與產品軟體有關的任何其他違反安全的情況下立即通知伊頓。對於因您未能遵守這些要求而引起的任何損失或損害，或因該等未經授權的訪問而引起的任何其他損失，伊頓不承擔任何責任。如果伊頓根據本協定中止或終止您的帳戶，您承認與該帳戶相關的所有資訊和內容將不再向您提供。

4. LOCATION DATA

位置資料

- 4.1 The Product Software may make use of location data sent from your devices. Where applicable, you can turn off this functionality at any time by turning off the location services settings for the Product Software on the device. If you use the Product Software, you consent to us and our affiliates' and licensees' transmission, collection, retention, maintenance, processing and use of your location data and queries to provide and improve location-based and road traffic-based products and services.

本產品軟體可能會利用從您的設備上發送的位置資料。在此情況下，您可以在任何時候通過關閉設備上的產品軟體的位置服務設置來關閉該功能。如果您使用本產品軟體，您同意我們及我們的關聯公司和被許可人傳輸、收集、保留、維護、處理和使用您的位置資料和查詢，以提供和改進基於位置和道路交通的產品和服務。

- 4.2 You may stop us collecting such data at any time by turning off the location services settings on your device. 您可以在任何時候通過關閉您設備上的定位服務設置來阻止我們收集此類資料。

5. NECESSARY EQUIPMENT

必要設備

- 5.1 Full use of the Product Software is dependent upon your use of a device with Internet access and the purchase of Eaton Hardware in which it is installed or to which the Product Software pertains as described in the Documentation.

產品軟體的完全使用需要您使用可上網的設備，並購買安裝該軟體的伊頓硬體或檔中所述的產品軟體所涉及的硬體。

- 5.2 In order for the Product Software to operate fully, your device may need to be connected to certain wireless and/or communication based technologies. There may be delays, limitations and other problems inherent in the use of the Internet and wireless and/or communication based technologies. Eaton is not responsible for any delays, failures or other damages resulting from such problems and/or the costs/charges associated with internet data usage.

為了使產品軟體能夠充分運行，您的設備可能需要與某些無線和/或基於通訊的技術相連接。在使用互聯網和無線和/或基於通訊的技術時，可能會有延遲、限制和其他固有的問題。伊頓對因這些問題和/或與互聯網資料使用有關的費用/收費而造成的任何延誤、故障或其他損失不承擔責任。

- 5.3 The maintenance and security of this equipment may affect the performance of the Product Software and it is your responsibility to ensure the equipment's functionality is compatible and for making all arrangements necessary for you to have access to the Product Software.

該設備的維護和安全可能會影響產品軟體的性能，您有責任確保該設備的功能是相容的，並為您訪問產品軟體作出一切必要的安排。

- 5.4 Internet transmissions are never completely private or secure. Any message or information you send using the Product Software may be read or intercepted by others, even if there is a special notice that a particular transmission is encrypted.

互聯網傳輸從來不是完全私密或安全的。您使用產品軟體發送的任何資訊或資料都可能被他人讀取或截獲，即使有特別通知表明某一傳輸是加密的。

6. UPDATES

更新

- 6.1 You are solely responsible for the maintenance and upkeep of the Product Software. Eaton has no obligation to provide updates or maintenance to the Product Software. You agree to install or allow automatic installation of all corrections of substantial defects, security patches, minor bug fixes and updates, including any enhancements ("Updates"), for the Product Software in accordance with the instructions and as directed by Eaton.

您對產品軟體的維護和保養負全部責任。伊頓沒有義務為產品軟體提供更新或維護。您同意按照伊頓的說明和指示，為產品軟體安裝或允許自動安裝所有實質性缺陷的修正、安全補丁、小的錯誤修復和更新，包括任何改進（"更新"）。

- 6.2 The provisions of this Agreement shall govern any Updates provided by Eaton, unless such Updates are accompanied by, or references, a separate license agreement in which case the terms of that license agreement shall prevail.

本協議的規定應適用於伊頓提供的任何更新，除非該等更新附有或提及單獨的授權合約，在此情況下，應以該授權合約的條款為準。

- 6.3 We reserve the right, without notice to you, to update, change, and discontinue (temporarily or permanently) any feature or component of the Product Software. Alternatively, we may ask you to update the Product Software. By continuing to use the Product Software you accept the updates and changes to the Product Software including any changes to or removal of features or components. You agree that your obligations are neither contingent upon the delivery of any future functionality or features nor dependent upon any oral or written comments made by us with respect to future functionality or features. Eaton is not liable to you or to any third party for any update, change, suspension, discontinuance of any feature or component of the Product Software. Eaton reserves the right to determine the timing and content of software updates, which may be automatically downloaded and installed by the Product Software without your notice. If you chose not to install such updates or if you opt out of automatic updates you may not be able to continue using the Product Software.

我們保留在不通知您的情況下，更新、改變和停止（暫時或永久）產品軟體的任何功能或元件的權利。或者，我們可能要求您更新產品軟體。繼續使用產品軟體表明您接受對產品軟體的更新和變更，包括對功能或組件的任何變更或刪除。您同意，您的義務既不取決於任何未來功能或特性的交付，也不取決於我們就未來功能或特性所作的任何口頭或書面評論。伊頓不因產品軟體的任何功能或元件的更新、變更、暫停、中斷而對您或任何協力廠商負責。伊頓保留決定軟體更新的時間和內容的權利，產品軟體可能會自動下載和安裝這些軟體，而無需通知您。如果您選擇不安裝此類更新或選擇退出自動更新，您可能無法繼續使用該產品軟體。

7. TRANSFER AND ASSIGNMENT RESTRICTIONS

轉讓限制

- 7.1 You agree not to sell, resell, assign, lease, sub-license, encumber or otherwise transfer your interest in this Agreement or in the Product Software and/or Documentation, in whole or in part, or allow any other person or entity, including any of your parent or subsidiaries or other subsidiaries of your parent, to copy, distribute, or otherwise transfer the Product Software without the prior written consent of Eaton.

您同意，在未經伊頓事先書面同意的情況下，不出售、轉售、轉讓、租賃、分許可、設定權利負擔或以其他方式轉讓您在本協定或產品軟體和/或檔中的全部或部分權益，或允許任何其他個人或實體，包括您的母公司或子公司或您母公司的其他子公司，複製、分發或以其他方式轉讓產品軟體。

- 7.2 You may transfer the Product Software directly to a third party only in connection with the sale of the Eaton product in which it is installed or to which the Product Software pertains as described by Eaton in the Documentation. In the event of such a sale, you may not keep any copies of the Product Software or any portion thereof and you undertake to ensure the third party to whom you transfer the Product Software is made

aware of, agrees to and complies with all of the provisions of this Agreement. Any transfer of the Product Software is deemed to be a transfer with the sale of the Eaton product and is subject to the provisions of this Agreement.

您可以將產品軟體直接轉讓給協力廠商，但僅限於與安裝該軟體的伊頓產品的銷售有關的情況，或與伊頓在檔中所述的產品軟體有關的情況。在此類銷售中，您不得保留產品軟體的任何副本或其任何部分，並且您承諾確保您向其轉讓產品軟體的協力廠商瞭解、同意並遵守本協議的所有規定。產品軟體的任何轉讓都被視為與伊頓產品的銷售一起進行的轉讓，並受本協議規定的約束。

8. RESTRICTED USES

限制使用

8.1 In relation to the Product Software, you warrant, represent and undertake that

you shall:就產品軟體而言，您保證、陳述並承諾您應：

- i. only use the Product Software with the license key, if the Product Software is subject to the use of a license key;
如果產品軟體需要使用許可證金鑰，則只能使用帶有許可證金鑰的產品軟體；
- ii. not use the Product Software with any other third party hardware and/or software;
不將產品軟體與任何其他協力廠商硬體和/或軟體一起使用；
- iii. not license, sell, rent, lease, transfer, assign, distribute, host, or otherwise commercially exploit the Product Software, whether in whole or in part, or any content displayed on the Product Software;
不許可、出售、出租、租賃、轉移、轉讓、分發、託管或以其他方式利用產品軟體（無論是全部還是部分）或產品軟體上顯示的任何內容；
- iv. not copy (except as expressly permitted by this Agreement), enhance, decompile, modify, make derivative works of, disassemble, reverse compile or reverse engineer, attempt to derive the source of code of any part of the Product Software;
不複製（除非本協議明確允許）、增強、反向編譯、修改、製作衍生作品、反向彙編、反向編譯或反向工程，試圖獲取產品軟體任何部分的原始程式碼；
- v. not copy (except as expressly permitted by this Agreement), reproduce, distribute, republish, download, display, post or transmit the whole or any part of the Product Software in any form or by any means, except as expressly permitted in this Agreement;
不以任何形式或手段複製（除非本協議明確允許）、再現、分發、再版、下載、展示、張貼或傳送產品軟體的全部或任何部分，除非本協定明確允許；
- vi. not use any part of the Product Software to establish any independent data files, databases, compendiums or any other reference materials except to the extent such foregoing restriction is prohibited by applicable laws or applicable open source license to, and only to, any open source software component that is incorporated into the Product Software (if any). Any attempt to do so is a violation of the rights of Eaton;
不使用產品軟體的任何部分來建立任何獨立的資料檔案、資料庫、彙編或任何其他參考材料，除非適用法律或適用的開源許可證禁止上述限制，且僅適用於納入產品軟體的任何開源軟體元件（如有）。任何試圖這樣做的行為都是對伊頓權利的侵犯；
- vii. not access or view Product Software in order to build a similar or competitive product or service to the Product Software;
不訪問或查看產品軟體，以建立與產品軟體類似或競爭的產品或服務；
- viii. not provide false data including false names, addresses, contact details and fraudulent credit card/debit card details;
不提供虛假資料，包括虛假的姓名、位址、聯繫方式和欺詐性的信用卡/借記卡資訊；
- ix. not enter into fraudulent or deceptive interactions or transactions with Eaton (which shall include entering into interactions or transactions purportedly on behalf of a third party where you have no authority to bind that third party or you are pretending to be a third party);
不與伊頓進行欺詐性或欺騙性的互動或交易（這應包括在您無權約束協力廠商或您假裝是協力廠商的情況下，聲稱代表該協力廠商進行互動或交易）；
- x. not use the Product Software in any way that is unlawful, fraudulent or deceptive, or has any unlawful, fraudulent or deceptive purpose or effect;
不以任何非法的、欺詐性的或欺騙性的方式使用產品軟體，或具有任何非法的、欺詐性的或欺騙性的目的或效果；

- xi. not use the Product Software except in conjunction with the operation of Eaton products to which the Product Software pertains or other products described by Eaton in the Documentation;
不使用該產品軟體，除非與該產品軟體相關的伊頓產品或伊頓在檔中描述的其他產品的操作相結合；
- xii. not sell any products or services purchased through Eaton, without Eaton's express permission;
未經伊頓的明確許可，不得出售通過伊頓購買的任何產品或服務；
- xiii. not intercept communications transmitted by way of a telecommunications system and/or information society service;
不攔截通過電信系統和/或資訊社會服務方式傳輸的通訊；
- xiv. not to distribute, or otherwise provide to any third party any registration code algorithms, registration codes, or encryption keys, where applicable, used by or in connection with the Product Software without the prior written consent of Eaton;
未經伊頓事先書面同意，不向任何協力廠商分發或以其他方式提供產品軟體所使用的或與之有關的任何註冊碼演算法、註冊碼或加密金鑰（如適用）；
- xv. not attempt to create any registration codes or passwords, where applicable, to allow unauthorized activation of the Product Software, nor shall you assist others in doing so;
不試圖創建任何註冊碼或密碼（如適用）以允許未經授權啟動產品軟體，也不得協助他人這樣做；
- xvi. not use any registration code algorithms, registration codes or encryption keys, where applicable, that have not been purchased from Eaton or an authorized representative of Eaton;
不使用未從伊頓或伊頓授權代表處購買的任何註冊碼演算法、註冊碼或加密金鑰（如適用）；
- xvii. not execute any form of network monitoring which will intercept data not intended for you;
不執行任何形式的網路監控，從而截獲並非為您準備的資料；
- xviii. not install the Product Software on multiple devices or in multiple locations without purchasing a separate license from Eaton or a third party authorized by Eaton;
在未向伊頓或伊頓授權的協力廠商購買單獨許可的情況下，不得在多個設備或多個地點安裝產品軟體；
- xix. use of the Product Software must at all times comply with all applicable laws, rules and regulations and be strictly in accordance with this Agreement;
在任何時候使用產品軟體都必須遵守所有適用的法律、法規和規章，並嚴格遵守本協議的規定；
- xx. not use the Product Software to transmit, or procure the sending of, any unsolicited or unauthorized advertising, promotional material, chain letters, mass mailings or any other form of similar solicitation (spam) or of any material that is illegal, offensive, abusive, indecent, defamatory, obscene, menacing or in breach of proprietary rights, confidence, privacy or any other right, or is injurious to third parties.
不得使用產品軟體傳輸或促使發送任何未經請求或授權的廣告、促銷材料、連鎖信、群發郵件或任何其他形式的類似招攬（垃圾郵件）或任何非法、攻擊性、辱罵、不雅、誹謗、淫穢、威脅或違反所有權、信任、隱私或任何其他權利、或損害協力廠商的材料；
- xxi. not attempt to gain unauthorized access to the Product Software, its facilities and/or services or any accounts, databases, computer systems, servers and networks connected to the Product Software and the server on which our site is stored. You shall not attack the Product Software via a denial of service attack. You will not misuse the Product Software by knowingly or recklessly introducing viruses, Trojans, worms, logic bombs, harmful data or other materials which is malicious or harmful;
不得試圖未經授權訪問產品軟體、其設施和/或服務或任何與產品軟體和儲存我們網站的伺服器相連的帳戶、資料庫、電腦系統、伺服器 and 網路。您不得通過拒絕服務攻擊的方式攻擊產品軟體。您不得故意或過失地引入病毒、木馬、蠕蟲、邏輯炸彈、有害資料或其他惡意或有害的材料濫用產品軟體
- xxii. not use the Product Software to harvest or otherwise collect by any means any program material or any information whatsoever (including without limitation email addresses or other personal details of other users);
不使用產品軟體收集或以任何方式收集任何程式材料或任何資訊（包括但不限於其他使用者的電子郵寄地址或其他個人詳細資料）；
- xxiii. provide Eaton with accurate and complete information and acknowledge that Eaton's ability to deliver the Product Software is dependent upon your cooperation, as well as the accuracy and completeness of any information you provide to Eaton. Eaton shall not be liable for any costs, expenses or liabilities resulting from your failure to cooperate or to provide such information;
向伊頓提供準確和完整的資訊，並認可伊頓提供產品軟體的能力取決於您的合作，以及您向伊頓提供的任何資訊的準確性和完整性。伊頓不對因您未能合作或未能提供此類資訊而導致的任何費用、開支或責任承擔責任；

- xxiv. not access the Product Software through the use of any mechanism other than through the use of an authorized connection;
不通過使用授權連接以外的任何機制訪問產品軟體；
- xxv. not use any automated technology such as a robot, spider or scraper, to access, scrape or data mine the Product Software;
不使用任何自動技術，如機器人、爬蟲或抓取，來對產品軟體進行訪問、抓取或資料採擷；
- xxvi. not modify the paper or digital copies of any Materials you print or download in any way, and you must not use any illustrations, photographs, video or audio sequences, or any graphics separately from any accompanying text;
不得以任何方式修改您列印或下載的任何材料的紙質或數字副本，您不得將任何插圖、照片、視頻或音訊序列或任何圖形與任何附帶的文本分開使用；
- xxvii. not, without Eaton's prior express written permission, "mirror", screen-scrape or frame by any other similar method, any Materials contained on this Product Software on any other server;
未經伊頓事先明確的書面許可，不得在任何其他伺服器上對本產品軟體所包含的任何材料以任何其他類似方法進行“鏡像”螢幕抓取或嵌入框架；
- xxviii. not use any part of the Materials for commercial purposes without obtaining permission from our licensors or us. If you are in breach of these terms of use, your right to use the Product Software will cease immediately and you must, at our option, return or destroy any copies of the Materials you have made;
在未獲得我們的許可人或我們的許可的情況下，不得將材料的任何部分用於商業目的。如果您違反了這些使用條款，您使用本產品軟體的權利將立即停止，並且您必須根據我們的指令，歸還或銷毀您製作的材料的任何副本；
- xxix. use reasonable endeavours to prevent any unauthorized access to, or use of, the Product Software and, in the event of any such unauthorized access or use, immediately without delay notify Eaton in writing by email or by phone to the relevant contact information provided in the "contact us" section below.
使用合理的努力來防止對產品軟體的任何未經授權的訪問或使用，並在發生任何此類未經授權的訪問或使用時，立即以下“聯繫我們”部分提供的相關聯繫資訊通過電子郵件或電話以書面形式通知伊頓。

8.2 By breaching Clause 8.1 of this Agreement, you could potentially commit a criminal offence. We will report any such breach to the relevant law enforcement authorities, and we will co-operate with those authorities by disclosing your identity to them. In the event of such a breach, your right to use the Product Software will cease immediately.

違反本協議第8.1條，您可能涉及刑事犯罪。我們將向相關執法部門報告任何此類違反行為，我們將與這些部門合作，向他們披露您的身份。如果發生這樣的違反行為，您產品軟體的權利將立即停止。

8.3 We will not be liable for any loss or damage caused by a distributed denial of service attack, viruses or other technologically harmful material that may infect your computer equBLSSent, computer programs, data or other proprietary material due to your use of the Product Software or to your downloading of any material posted on it, or any website linked to it.

對於因您使用產品軟體或下載其上發佈的任何材料或與之連結的任何網站而導致的分散式拒絕服務攻擊、病毒或其他可能感染您的電腦設備、電腦程式、資料或其他專有材料的損失或損害，我們將不承擔任何責任。

9. THIRD PARTY SOFTWARE

協力廠商軟體

9.1 The Product Software may contain components (including, notwithstanding Clause 10 of this Agreement, open source software components) that are owned by third parties ("Third Party Licensors") and are provided with, incorporated into, linked to, or embedded in, the Product Software pursuant to license arrangements between Eaton and any such third parties. Third Party Licensor components in the Product Software are not licensed or warranted under the terms of this Agreement, but are instead subject to any license arrangements between Eaton and any such third parties.

產品軟體可能包含由協力廠商（“協力廠商許可人”）擁有的組件（包括，儘管有本協議第10條的規定，開源軟體元件），並根據伊頓與任何此類協力廠商之間的許可安排與產品軟體一起提供、納入、連結或嵌入。產品軟體中的協力廠商許可人元件並不根據本協定的條款進行許可或保證，而是根據伊頓與任何此類協力廠商之間的許可安排。

9.2 You agree not to modify, delete or obfuscate any copyright or other Intellectual Property Rights notices of Third Party Licensors contained in the Product Software.

您同意不修改、刪除或混淆產品軟體中包含的協力廠商許可人的任何版權或其他智慧財產權聲明。

- 9.3 To the extent there are any conflicts between the terms of this Agreement and any license arrangement between Eaton and any such third party license corresponding to Third Party Licensor components or additional obligations by such Third Party Licensors that are not set forth in this Agreement, the terms of the license arrangement between Eaton and any such Third Party Licensor or the corresponding open source license will prevail.

如果本協議的條款與伊頓和協力廠商許可人對應的任何此類協力廠商許可安排，或協力廠商許可人未在本協議中規定的額外義務之間存在衝突，則以伊頓與任何此類協力廠商許可人之間的許可安排或相應的開源許可證的條款為準。

- 9.4 This Product Software contains the known third party software (including third party open source software components) as set out in Appendix 1A.

本產品套裝軟體含附錄1A中所列的已知協力廠商軟體（包括協力廠商開源軟體元件）。

10. OPEN SOURCE SOFTWARE

- 10.1 The Product Software may contain certain components owned by Eaton that are provided with, incorporated into, linked to, or embedded in the Product Software that are subject to open source licenses ("Eaton Open Source Components"). To the extent there are any conflicts between the terms of this Agreement and any open license corresponding to Eaton Open Source Components or additional obligations by any such open source license that are not set forth in this Agreement, the terms of the open source license shall prevail.

產品軟體可能包含某些由伊頓擁有的元件，這些元件與產品軟體一起提供、併入、連結或嵌入到產品軟體中，並受到開源許可證的約束（"伊頓開源組件"）。如果本協定的條款與伊頓開源元件對應的任何開放許可之間存在任何衝突，或任何此類開源許可證未在本協議中規定的額外義務，應以開源許可證的條款為準。

- 10.2 This Product Software contains the known Eaton Open Source Components as set out in Appendix 1B.

本產品套裝軟體含附錄1B中所列的已知伊頓開源組件。

11. FEES

費用

- 11.1 Where applicable, Eaton may charge you fees for access to the Product Software, as provided in Appendix 2. You agree to pay all fees and charges, within the agreed upon billing period, including taxes, incurred through your account at the rates in effect for the billing period in which such fees and charges are incurred, including but not limited to, charges for any products or services offered for sale through the Product Software by Eaton (such fees, charges and taxes shall collectively be referred to as "Fees"). Eaton reserves the right to change the amount of, or basis for determining, any Fees, and to institute new Fees, effective upon prior notice to you.

在適用的情況下，伊頓可能會根據附錄2的規定，向您收取使用產品軟體的費用。您同意在約定的帳單期內按發生該等費用的帳單期的有效費率支付通過您的帳戶發生的所有費用，包括但不限於伊頓通過產品軟體提供銷售的任何產品或服務的費用（該等費用、收費和稅收應統稱為"費用"）。伊頓保留改變任何費用的數額或確定依據的權利，並有權制定新的費用，該權利在事先通知您後生效。

12. SUPPORT SERVICES

支援服務

- 12.1 Eaton or its suppliers and distributors may provide you with support services related to the Product Software (the "Support Services"). Use of Support Services is governed by the terms and conditions for the applicable service offering (if any), the policies and programmes described in the Documentation, and/or other Eaton-provided Materials.

伊頓或其供應商和分銷商可向您提供與產品軟體有關的支援服務（"支援服務"）。支援服務的使用受適用的服務提供的條款和條件（如有）、檔中描述的政策和方案以及/或伊頓提供的其他材料的約束。

- 12.2 Any additional supplemental Materials provided to you as part of the Support Services shall be considered part of the Product Software, as applicable, and subject to the provisions of this Agreement.

作為支援服務的一部分向您提供的任何額外補充材料應被視為產品軟體的一部分（如適用），並受本協議的規定約束。

13. DISCLAIMER OF WARRANTY

免責聲明

- 13.1 To the extent permitted by applicable law, you expressly acknowledge and agree that use of the product software is at your sole risk and that the entire risk as to satisfactory quality, performance, accuracy and effort of the product software is with you.

在適用法律允許的範圍內，您明確承認並同意，使用本產品軟體的風險由您自行承擔，並且，關於本產品軟體的品質、性能、準確性和努力的全部風險由您承擔。

- 13.2 To the fullest extent permitted by applicable law, the Product Software, the Material and any information and any services performed or provided by or in connection with the Product Software are provided on an “as is” and “as available” basis, with all bugs and faults and without warranty of any kind. Eaton, its affiliates, subsidiaries, and authorized representatives hereby disclaim all warranties and conditions of any kind with respect to the product software and any services, either express, implied, statutory, or otherwise, including, but without limitation, any implied warranties and/or conditions of merchantability, of satisfactory quality, of fitness for a particular purpose, security, completeness, timeliness, accuracy, quiet enjoyment, title, freedom from computer viruses, and of non-infringement of third party rights. Neither Eaton, nor any of its affiliates or subsidiaries, warrant that the functions or services contained in, accessed from, performed by, displayed on, linked to/from, or provided by, the product software will meet your requirements, that the operation of the product software or services will be uninterrupted, error-free, timely, secure, or that defects or errors in the product software or services will be corrected, or that the product software will be compatible with any system, or that the product software will be free from worms, viruses, malware, Trojan horses, or other harmful or disabling components.

在適用法律允許的最大範圍內，產品軟體、材料和任何資訊以及由產品軟體執行或提供的或與之相關的任何服務都是在“原樣”和“現有”的基礎上提供的，包含所有的故障，沒有任何形式的保證。伊頓、其附屬機構、子公司和授權代表在此聲明，對產品軟體和任何服務不作任何明示、默示、法定或其他形式的保證和條件，包括但不限於對適銷性、令人滿意的品質、對特定目的的適用性、安全性、完整性、及時性、準確性、平靜受益權、所有權、無電腦病毒和不侵犯協力廠商權利的任何默示保證和/或條件。伊頓或其任何附屬機構或子公司均不保證產品軟體所包含的、從產品軟體訪問的、由產品軟體執行的、在產品軟體上顯示的、連結到產品軟體的或由產品軟體提供的功能或服務將滿足您的要求，不保證產品軟體或服務的運行將是不間斷的、無錯誤的、及時的、安全的，或產品軟體或服務中的缺陷或錯誤將得到糾正，或產品軟體將與任何系統相容，或產品軟體將不含蠕蟲、病毒、惡意軟體、特洛伊木馬或其他有害或禁用成分。

- 13.3 No oral or written information or advice given by Eaton, its affiliates, subsidiaries, or any of their respective authorized representatives shall create a warranty. You assume the entire cost of any and all necessary repairs in the event you experience any loss or damage arising from the use of the product software or any related goods or services. If you are dissatisfied with the product software and/or any related goods or services, your sole and exclusive remedy is to discontinue using the product software.

伊頓、其關聯公司、子公司或其各自的任何授權代表所提供的任何口頭或書面資訊或建議均不構成保證。如果您因使用本產品軟體或任何相關貨物或服務而遭受任何損失或損害，您應承擔所有必要的維修費用。如果您對產品軟體和/或任何相關商品或服務不滿意，您唯一的補救措施是停止使用該產品軟體。

14. LIMITATION OF LIABILITY

責任限制

- 14.1 Nothing in this agreement shall exclude or limit Eaton’s liability for death or personal injury resulting from its negligence or of its officers, representatives their servants, agents, affiliates, employees or any other liability which may not be limited or excluded under applicable law. In no event shall Eaton nor any of its officers or other representatives be liable for any loss or damages arising out of or in connection with your use, inability to use or reliance on any facilities, services, products and/ or content offered through or from the product software, including, but not limited to, direct loss, loss of data, work stoppage, service interruption, computer failure, system failure, device damage or malfunction, loss of income, profit or opportunity, loss of or damage to property and claims of third parties or for any indirect or consequential loss whatsoever, even if Eaton has been advised of the possibility of such loss or damages, or such loss or damages were reasonably foreseeable.

本協定中的任何內容均不排除或限制伊頓因其疏忽或其工作人員、代表、雇員、代理人、附屬機構、雇員的疏忽而導致的死亡或人身傷害的責任或任何其他根據適用法律不得限制或排除的責任。在任何情況下，伊頓或其任何管理人員或其他代表都不對因您使用、無法使用或依賴通過產品軟體提供的或從產品軟體提供的任何設施、服務、產品和/或內容而引起的或與之有關的任何損失或損害負責，包括但不限於直接損失、資料損失、停工、服務中斷、電腦故障、系統故障、設備損壞或故障、收入、利潤或機會的損失、財產損失或損壞以及協力廠商的索賠，或任何間接或後果性的損失，即使伊頓已被告知此類損失或損害的可能性，或此類損失或損害是可合理預見的。

- 14.2 To the fullest extent permitted by law, Eaton, its affiliates, suppliers, licensors, and any other party involved in creating, producing or delivering the product software makes no warranties, either express or implied, about the product software. The product software is provided "as is" and "as available" .

在法律允許的最大範圍內，伊頓、其附屬機構、供應商、許可方以及參與創建、生產或交付產品軟體的任何其他方對產品軟體不作任何明示或暗示的保證。本產品軟體是在“原樣”和“現有”的基礎上提供的。

- 14.3 Except for your indemnification obligations pursuant to Clause 15 of this agreement, in no event will the aggregate liability (whether arising out of liability under breach of contract, tort (including but not limited to negligence), misrepresentation, breach of statutory duty, breach of warranty or claims by third parties arising from any breach of this agreement) of Eaton or its employees or agents to you or to any third party for damages, direct or otherwise, arising out of or in connection with this agreement exceed the lower of \$100 (one hundred United States dollars) or the cost of the product software, regardless of the cause or form of action, and whether such claims are grounded in contract, tort, strict liability or any other legal theory, notwithstanding any failure of essential purpose of any limited remedy.

除您根據本協定第15條承擔的賠償義務外，在任何情況下，伊頓或其雇員或代理人對您或任何協力廠商的損害賠償的總責任（無論是否因違反合同、侵權行為（包括但不限於疏忽）、不實陳述、違反法定義務、違反保證或因違反本協議而引起的協力廠商索賠而產生）均不超過100美元或產品軟體成本（以較低者為準）。無論該行為的原因或形式如何，也無論這種索賠是基於合同、侵權行為、嚴格責任或任何其他法律理論，即使任何有限補救措施的基本目的未能實現。

- 14.4 Nothing in this agreement shall exclude or limit your liability under Clause 11 for any failure to pay any fees due hereunder or for any breach, misuse or infringement of Eaton's intellectual property rights under Clause 21.

本協定的任何內容均不應排除或限制您根據第11條對未能支付本協議項下的任何費用或根據第21條對違反、濫用或侵犯伊頓的智慧財產權所應承擔的責任。

- 14.5 If you use the Product Software for commercial, business or resale purpose we will have no liability to you for any loss of profit, loss of business, business interruption, or loss of business opportunity.

如果您將產品軟體用於商業、業務或轉售目的，我們將不對您的任何利潤損失、業務損失、業務中斷或商業機會的損失負責。

- 14.6 Each provision of this Clause 14 excluding or limiting liability shall be construed separately, applying and surviving even if for any reason one or the other of these provisions is held inapplicable or unenforceable and shall remain in force notwithstanding the termination of this agreement, howsoever arising.

本條中排除或限制責任的每項規定應單獨解釋，即使這些規定中的一項或多項被定義為不適用或不能執行，其餘部分也應繼續有效；即使本協議因任何原因終止，本條款繼續有效。

15. INDEMNIFICATION

賠償

- 15.1 You agree to indemnify, defend, and hold harmless Eaton, including its officers, directors, employees, affiliates, subsidiaries, agents, licensors, authorized representatives, attorneys, business partners, and respective successors and assigns (the "Indemnified Parties") from and against any and all claims, demands, actions, liabilities, judgments, awards, losses, damages, costs and expenses (including reasonable legal fees, costs of defense, and direct, indirect, punitive, special, individual, consequential, or exemplary damages), Eaton or any of the Indemnified Parties suffer in relation to, arising from, or from the purpose of avoiding, any claim or demand from a third party that relates to your: (a) breach or violation of this Agreement; (b) infringement, misappropriation or any violation of the rights of any other party from use of the Product Software in violation of this Agreement; (c) violation or non-compliance with any applicable law, rule, guidelines, acts, decrees, orders or regulations; (d) use, alteration or export of the Product Software (or any component thereof) in violation of this Agreement; and (e) the use of the Product Software by you or any person using your account.

您同意就伊頓或任何受償方因與您有關的、由您引起的或為避免協力廠商提出的與您有關的任何索賠或要求而遭受的任何及所有索賠、要求、訴訟、責任、判決、裁決、損失、損害、費用和開支（包括合理的法律費用、辯護費用以及直接的、間接的、懲罰性的、特殊的、個別的、後果性的或懲戒性的損害）向伊頓，包括其管理人員、董事、雇員、關聯公司、子公司、代理人、許可人、授權代表、律師、商業夥伴以及各自的繼承人和受讓人（“受償方”）提供賠償、辯護並使其免受損害，包括：(a)違反或違背本協議；(b)違反本協定使用產品軟體侵犯、盜用或任何其他方的權利；(c)違反或不遵守任何適用的法律、規則、準則、法案、法令、命令或條例；(d)違反本協議使用、改變或出口產品軟體（或其任何元件）；以及 (e)您或任何使用您帳戶的人使用產品軟體。

- 15.2 Eaton and its affiliates reserve the right to assume the exclusive defense and control of any claims or actions subject to indemnification by you and all negotiations for its settlement or compromise, and you agree to fully cooperate with Eaton and its affiliates upon request by Eaton.

伊頓及其關聯公司保留對任何須由您賠償的索賠或訴訟的獨家辯護和控制權，以及為解決或妥協而進行的所有談判，並且您同意在伊頓的要求下與伊頓及其關聯公司充分合作。

16. AMENDMENTS TO THIS AGREEMENT

對本協議的修訂

- 16.1 Eaton reserves the right to amend, modify, update or substitute any of the provisions of this Agreement at any time. Any such amendment, modification, update or substitution shall be notified to you by email. You have the right to withdraw from this Agreement if you do not accept any amendments, modifications, updates or substitution of any of the provisions of this Agreement and in such an event you must cease all access and use of the Product Software immediately. By continuing to use the Product Software after Eaton posts or otherwise notifies you of any changes, you accept and agree to the terms and conditions, as modified.

伊頓保留在任何時候修正、修改、更新或替代本協議中任何條款的權利。任何此類修訂、修改、更新或替代應通過電子郵件通知您。如果您不接受本協議的任何修訂、修改、更新或替換，您有權退出本協定，在這種情況下，您必須立即停止對產品軟體的所有訪問和使用。在伊頓發佈或以其他方式通知您任何變更後繼續使用本產品軟體，即表示您接受並同意經修改的條款和條件。

17. FOR AUTHORIZED PARTIES IN CALIFORNIA

關於加利福尼亞州的授權方

- 17.1 In compliance with California Civil Code §1789.3, if you reside in California you have the right to contact Eaton with any complaints or to seek additional information. You may email Eaton at dataprotection@eaton.com.

根據《加利福尼亞州民法典》第1789.3條的規定，如果您居住在加利福尼亞州，您有權就任何投訴或尋求其他資訊與伊頓聯繫。您可以向伊頓發送電子郵件：dataprotection@eaton.com。

- 17.2 If you reside in California and have any questions or complaints about the use of the Eaton provided Product Software you may also contact: The Complaint Assistance Unit of the Division of Consumer Services of the California Department of Consumer Affairs through writing at 400 R Street, Suite 1080, Sacramento, CA 95814, or by telephone at (916) 445-1254 or (800) 952-5210. Hearing impaired persons may call (916) 928-1227 or (800) 326-2297 via TTY device. For further details, please visit https://www.dca.ca.gov/about_us/contactus.shtml.

如果您居住在加利福尼亞州，並對伊頓提供的產品軟體的使用有任何疑問或投訴，您也可以聯繫加利福尼亞州消費者事務部消費者服務司的投訴援助部門，其通訊地址為400 R Street, Suite 1080, Sacramento, CA 95814，或通過電話（916

）445-1254或（800）952-5210。聽力障礙者可通過TTY設備撥打（916）928-1227或（800）326-2297。更多詳情，請訪問https://www.dca.ca.gov/about_us/contactus.shtml。

- 17.3 You acknowledge and agree that this Clause 17 shall only apply to you if you are resident in

California.您承認並同意，本第17條只適用於您是加利福尼亞州居民的情況。

18. ENFORCEMENT RIGHTS

執行權

- 18.1 Eaton are not obligated to monitor the access or use of the Product Software, but Eaton reserves the right to do so for the purpose of operating the Product Software, to ensure compliance with these terms, and to comply with applicable law or other legal requirements. Eaton may consult with and disclose unlawful conduct to law enforcement authorities; and pursuant to valid legal process, Eaton may cooperate with law enforcement authorities as part of an investigation and/or to prosecute users who violate the law. In addition to any of its other rights or remedies, Eaton reserves the right to suspend or terminate your access to all or a portion of your Product Software account, without any liability, if Eaton reasonably suspects that your use of the Product Software is harming or threatening to harm Eaton's systems, or in Eaton's reasonable opinion you have violated your responsibilities. Eaton reserves the right to investigate any violation of these terms and any conduct that affects the Product Software.

伊頓沒有義務監控對產品軟體的訪問或使用，但伊頓保留為操作產品軟體、確保遵守本條款以及遵守適用法律或其他法律要求而進行監控的權利。伊頓可與執法機關協商並向其披露非法行為；在符合有效法律程式的前提下，伊頓可與執法機關合作，作為調查的一部分和/或起訴違反法律的用戶。除任何其他權利或補救措施外，如果伊頓有理由懷疑您對產品軟體的使用損害或威脅到伊頓的系統，或伊頓有理由認為您違反了您的責任，伊頓有權中止或終止您對產品軟體帳戶的全部或部分訪問，而不承擔任何責任。伊頓保留對任何違反本條款的行為和任何影響產品軟體的行為進行調查的權利。

19. CONFIDENTIAL INFORMATION

保密資訊

- 19.1 All information provided via the Product Software is Eaton's confidential information. You agree to protect Eaton's confidential information, using the same degree of care used to protect your own confidential or proprietary information, but in any case, using no less than a reasonable degree of care.

通過產品軟體提供的所有資訊均是伊頓的保密資訊。您同意使用與保護您自己的保密或專有資訊相同的謹慎程度（且在任何情況下，使用不低於合理程度的謹慎）保護伊頓的保密資訊。

- 19.2 You agree to only use Eaton's confidential information for the purposes of obtaining the benefit set out in this Agreement and for no other purpose. You agree not to use or disclose Eaton's confidential information without the prior written consent of Eaton, except to share it with your employees who have a need to know the information and are bound by a duty of confidentiality covering the information that is at least as restrictive as the obligations in this Agreement. You agree not to otherwise disclose such information to any third party without the prior written consent of Eaton. You shall be liable to Eaton for any breach of the confidentiality obligations in this Clause 20 of this Agreement by your employees.

您同意只在為獲得本協定規定的利益的目的下使用伊頓的保密資訊，不用於其他任何目的。您同意在未經伊頓事先書面同意的情況下，不使用或披露伊頓的保密資訊，除與您的雇員分享該資訊，這些雇員有必要瞭解這些資訊並受至少與本協議中的義務一樣嚴格的保密義務的約束。您同意在未經伊頓事先書面同意的情況下，不向任何協力廠商披露這些資訊。如您的雇員違反本協議第20條規定的保密義務，您應向伊頓負責。

- 19.3 Except for personally identifiable information/personal data, the use and disclosure of which is addressed in the Privacy Statement for the Product Software, any and all information and content provided by you to Eaton is provided on a non-proprietary and non-confidential basis, regardless of whether the information or content is marked or otherwise identified as confidential or proprietary. You agree that Eaton has a royalty-free, perpetual, irrevocable, worldwide, non-exclusive right and license to use, reproduce, modify, adapt, publish, translate, create derivative works from, distribute, perform, and display any provided information or content for the purpose of operating and/or marketing the services or any related services rendered by Eaton. This license includes any right of publicity rights that may be present in the provided information or content.

除個人識別資訊/個人資料（其使用和披露在產品軟體的隱私權聲明中述及）外，您向伊頓提供的任何及所有資訊和內容均在非專有和非保密的基礎上提供，無論該資訊或內容是否被標記或以其他方式確定為機密或專有。您同意伊頓擁有免版稅的、永久的、不可撤銷的、全球性的、非獨家的權利和許可，以使用、複製、修改、改編、出版、翻譯、創造衍生作品、分發、執行和展示任何所提供的資訊或內容，用於經營和/或行銷伊頓提供的服務或任何相關服務。該許可包括所提供的資訊或內容中可能存在的任何宣傳權。

- 19.4 The provisions of this Clause 20 shall survive the expiration or termination of this Agreement.

本條規定在本協議期滿或終止後仍然有效

20. INTELLECTUAL PROPERTY OWNERSHIP

智慧財產權歸屬

- 20.1 This Agreement does not transfer any Intellectual Property Rights from Eaton to you. Except for the express licenses granted herein, all right, title and interest (including Intellectual Property Rights) in and to any intellectual property owned, created or independently developed by Eaton, including, but not limited to, the Product Software and any derivative work, customisation, modification or enhancement thereof (including all Intellectual Property Rights in any of the foregoing), whether developed prior to, during, or after this Agreement, will remain solely with Eaton and its licensors. Eaton grants no implied licenses hereunder.

本協議並未將任何智慧財產權從伊頓轉移給您。除本協議所授予的明確許可外，伊頓所擁有、創造或獨立開發的任何智慧財產權，包括但不限於產品軟體及其任何衍生作品、定制、修改或增強（包括上述任何內容的所有智慧財產權），無論是在本協議之前、期間還是之後開發的，其所有權利、所有權和利益（包括智慧財產權）將完全屬於伊頓及其許可方。伊頓在此不授予任何默示許可。

- 20.2 You may provide suggestions, comments or other feedback ("Feedback") relating to the Product Software. Your Feedback, even if designated as confidential, shall not, absent a separate written agreement, create any confidentiality obligation for Eaton. Eaton shall be free to use, disclose, reproduce, license or otherwise distribute and exploit such Feedback as it sees fit, entirely without obligation or restriction of any kind on account of intellectual property rights or otherwise.

您可以提供與產品軟體有關的建議、意見或其他回饋（“回饋”）。您的回饋（即使被指定為機密）在沒有單獨的書面協定的情況下，也不應為伊頓創設任何保密義務。伊頓可按其認為合適的方式自由使用、披露、複製、許可或以其他方式分發和利用該等回饋，而無需承擔任何義務或受到任何形式的智慧財產權或其他方面的限制。

- 20.3 You may print off one copy, and may download extracts, of any page(s) of the Materials solely for internal business purposes only. Any paper or digital copies of any Materials which you have printed off or downloaded in any way must not be modified, and you must not use any illustrations, photographs, video or audio sequences or any graphics separately from any accompanying text.

您可以列印一份材料的副本，也可以下載材料的任何頁面的摘要，以僅用於內部業務目的。您以任何方式列印或下載的任何材料的任何紙質或數字副本不得修改，您不得將任何插圖、照片、視頻或音訊序列或任何圖形與任何附帶的文本分開使用。

- 20.4 The content on the Product Software, including all information, text, graphics, images, hyperlinks, illustrations, designs, icons, photographs, documents, products, computer programs, services and written and other materials (collectively, the "Materials"), and such information is for general guidance purposes only.

產品軟體上的內容，包括所有資訊、文本、圖形、圖像、超連結、插圖、設計、圖示、照片、檔、產品、電腦程式、服務和書面及其他材料（統稱為“材料”），而這些資訊僅用於一般指導目的。

- 20.5 Unless otherwise noted, all Materials are copyrights, trademarks, trade dress and/or other intellectual properties owned by, controlled by or licensed to Eaton or third parties (hereinafter, the "Third-Party Providers").

除非另有說明，所有材料的版權、商標、商業外觀和/或其他智慧財產權均由伊頓或協力廠商（“協力廠商提供者”）擁有、控制或授權。

- 20.6 Except as stated herein, and to the extent permitted by law, none of the Materials may be copied, reproduced, distributed, republished, downloaded, displayed, posted or transmitted in any form or by any means, including, but not limited to, electronic, mechanical, photocopying, recording, or otherwise, without the prior express written permission of Eaton or the Third-Party Provider.

除本條所述外，在法律允許的範圍內，未經伊頓或協力廠商提供者事先明確的書面許可，不得以任何形式或通過任何手段，包括但不限於電子、機械、影印、錄音或其他方式，對任何材料進行複製、再現、分發、再版、下載、展示、張貼或傳送。

- 20.7 Any use of these Materials on any other website or networked computer environment for any purpose is prohibited. Any unauthorized use of any Materials contained on this Product Software may violate copyright, trademark, and other laws, including but not limited to laws of privacy and publicity, and may result in severe civil and criminal penalties.

禁止出於任何目的在任何其他網站或聯網的電腦環境中使用這些材料。任何未經授權使用本產品軟體所包含的任何材料都可能違反版權、商標和其他法律，包括但不限於隱私和宣傳相關法律，並可能導致嚴重的民事和刑事處罰。

21. TERMINATION OR SUSPENSION

終止或中止

- 21.1 This Agreement and the license granted hereunder, shall come into force on the creation of your Product Software account and shall continue in full force and effect unless this Agreement is terminated in accordance with its terms.

本協定和根據本協定授予的許可，應在您的產品軟體帳戶創建時生效並應繼續完全有效，除非本協定根據其條款被終止。

- 21.2 Eaton reserves the right, in its sole discretion and without notice to you, to suspend, terminate, modify or delete an account or access to the Product Software or parts thereof, if you are, or Eaton reasonably suspects that you are, failing to comply with any of the provisions of this Agreement or for any actual or suspected illegal or improper use of the Product Software. If you use multiple accounts, if Eaton does take action against you, you may have action taken against all your accounts.

如果您未能遵守本協議的任何規定或對產品軟體的任何實際或可疑的非法或不正當使用，或伊頓有理由懷疑您未能遵守本協議的任何規定或對產品軟體的任何實際或可疑的非法或不正當使用，伊頓有權自行決定中止、終止、修改或刪除一個帳戶或對產品軟體的訪問，無需通知您。如果您使用多個帳戶，且伊頓確實對您採取了該行動，您的所有帳戶均會受到該行動的影響。

- 21.3 For the avoidance of doubt, any wilful unauthorized use, copying, modification, reverse engineering, disclosure, distribution or sublicensing of the Intellectual Property Rights in the Product Software or any related methods, algorithms, techniques or processes by you, your employees, agents, representatives, officers or directors will be deemed a material breach of this Agreement that cannot be cured, and termination may be immediate.

為避免疑問，您、您的雇員、代理人、代表、官員或董事故意未經授權使用、複製、修改、反向工程、披露、分發或轉授產品軟體中的智慧財產權或任何相關的方法、演算法、技術或流程，將被視為對本協議的重大違反，且無法補救，並可能立即終止本協議。

- 21.4 Upon termination for any

reason:一旦因任何原因終止：

- i. all rights and licenses granted to you under this Agreement shall cease;
本協議授予您的所有權利和許可將停止；
- ii. you must cease all activities authorized by this Agreement, including your use of the Product Software;
您必須停止本協定授權的所有活動，包括您對產品軟體的使用；
- iii. you must immediately delete, remove and cease access to the Product Software from all devices on which the Product Software has been installed and all copies of the Product Software then in your possession, custody or control. Eaton may also require that you provide it with evidence of compliance with this provision;
您必須立即從所有安裝了該產品軟體的設備以及您當時擁有、保管或控制的該產品軟體的所有副本中刪除、移除並停止對該產品軟體的訪問。伊頓可能要求您提供遵守本款的證據；
- iv. you must immediately return or destroy all confidential information of Eaton in your possession, provided that you shall not be required to delete Eaton's confidential information that is and remains stored solely on backup storage pursuant to your standard backup retention procedures if only persons of advanced information technology knowledge and ability would be able to locate and access such information (but such information shall nonetheless remain subject to confidentiality obligations contained herein);
您必須立即歸還或銷毀您所擁有的伊頓的所有保密資訊，但如果只有具有先進資訊技術知識和能力的人員才能找到並獲取伊頓的保密資訊，則不要求您刪除根據您的標準備份保留程式僅儲存在備份記憶體上的伊頓的保密資訊（但該資訊仍應受本協定所載保密義務的約束）；
- v. we may remotely access your devices and remove the Product Software from them and cease providing you with access to the Product Software.

我們可以遠端存取您的設備，並從這些設備上刪除產品軟體，停止向您提供對產品軟體的訪問。

22. LINKS

連結

- 22.1 The Product Software may contain links to third party websites, services and/or display advertisements for third parties (together, "Third Party Links and Ads"). Such Third Party Links and Ads are not under Eaton' s control. Eaton disclaims all liability and responsibility for any Third Party Links and Ads and you acknowledge and agree that Eaton is not responsible or liable for: (a) the availability or accuracy of such Third Party Links and Ads; or (b) the contents, products or services on or available from such Third Party Links and Ads. Your use of Third Party Links and Ads is at your own risk and is subject to the terms and conditions of the applicable third party. Eaton provides Third Party Links and Ads for your convenience and does not review, approve, monitor, endorse, warrant, or make any representations with respect to Third Party Links and Ads. You will need to make your own independent judgement about whether to use any such independent sites, including whether to buy any products or services offered by them.

產品軟體可能包含與協力廠商網站、服務的連結和/或顯示協力廠商的廣告（合稱“協力廠商連結和廣告”）。這些協力廠商連結和廣告不在伊頓的控制之下。伊頓對任何協力廠商連結和廣告不承擔任何責任和義務，您承認並同意伊頓對以下情況不負責任：(a)此類協力廠商連結和廣告的可用性或準確性；或(b)此類協力廠商連結和廣告上或可獲得的內容、產品或服務。您使用協力廠商連結和廣告的風險由您自己承擔，並受制於相關協力廠商的條款和條件。伊頓為您提供協力廠商連結和廣告是為了與您方便，並不對協力廠商連結和廣告進行審查、批准、監督、認可、保證或作出任何陳述。您需要自己獨立判斷是否使用任何此類獨立網站，包括是否購買它們所提供的任何產品或服務。

23. REPRESENTATIONS, WARRANTIES, COVENANTS AND DISCLAIMERS

聲明、保證、承諾和免責聲明

23.1 You undertake, represent and warrant

that:您承諾、聲明並保證：

- i. you shall comply, at your own expense, with all applicable present or future laws, statutes, instruments, regulations, orders, directives, enactments, including any amendment, extension or replacement thereof which is in force from time to time and which in any way relates to this Agreement and/or the provision of the Product Software or results from your obligations under this Agreement. Without limiting the foregoing, you shall comply with all contracting and procurement regulations associated with the Product Software;
您應自費遵守所有適用的現行或未來的法律、法規、文書、條例、命令、指令、法令，包括不時生效的、以任何方式與本協定和/或產品軟體的提供有關的或由您在本協定下的義務導致的任何修正、擴展或替代。在不限制上述規定的情況下，您應遵守與產品軟體相關的所有合同和採購規定；
- ii. you have full power and authority to enter into this Agreement;
您具有簽訂本協議的完整權力和授權；
- iii. you shall conduct your business in a manner that reflects favourably at all times on the Product Software and the name and goodwill of Eaton;
您在開展業務時，應在任何時候都能對產品軟體和伊頓的名稱和商譽產生有利影響；
- iv. you shall make no representations, warranties, or guarantees on behalf of Eaton;
您不得代表伊頓作出任何聲明、保證或擔保；
- v. you shall from refrain from amending or varying this Agreement.
您應避免修改或變更本協議。

- 23.2 Eaton makes no representations or warranties of any kind regarding the Product Software, the Material, information or any other matter, either express or implied, including, but not limited to implied warranties of fitness for a particular purposes, merchantability, title, accuracy/freedom from error, non-infringement or otherwise. You are not authorized to make any warranty commitment on Eaton's behalf, whether written or oral. You understand that the Product Software may include hyperlinks to other websites or content or resources. Eaton has no control over any websites or resources which are provided by companies or persons other than Eaton. You acknowledge and agree that Eaton is not responsible whatsoever for any harm suffered by you on or in any way due to any third party websites or resources, even where they are accessed from or referred or linked to such sites by the Product Software. You acknowledge and agree that Eaton is not responsible for the availability of any such external sites or resources, and does not endorse any advertising, products or other materials on or available from such websites or resources. You acknowledge and agree that Eaton is not liable for any loss or damage which may be incurred as a result of the availability of those external sites or resources, or as a result of any reliance placed by you on the completeness, accuracy or existence of any advertising, products or other materials on, or available from, such web sites or resources.

伊頓對產品軟體、材料、資訊或任何其他事項不作任何明示或默示的陳述或保證，包括但不限於對特定用途的適用性、適銷性、所有權、準確性/無錯誤、不侵權或其他方面的默示保證。您無權代表伊頓作出任何書面或口頭的保證承諾。您理解，產品軟體可能包括指向其他網站或內容或資源的超連結；伊頓對由伊頓以外的公司或個人提供的任何網站或資源沒有控制權。您承認並同意，對於您在任何協力廠商網站或資源上或以任何方式遭受的任何損害，伊頓不承擔任何責任，即使這些網站或資源是由產品軟體訪問的，或由產品軟體引用或連結到這些網站。您承認並同意，伊頓不對任何此類外部網站或資源的可用性負責，也不對此類網站或資源上的或可獲得的任何廣告、產品或其他材料予以認可。您承認並同意，對於因這些外部網站或資源的可用性，或因您對這些網站或資源上的或可獲得的任何廣告、產品或其他材料的完整性、準確性或存在的依賴而可能產生的任何損失或損害，伊頓概不負責。

24. FORCE MAJEURE

不可抗力

- 24.1 Notwithstanding anything else contained in this Agreement, Eaton shall not be liable for any delay in providing the Product Software or support for the Product Software if such delay arises from or is attributable to acts, events or omissions beyond its reasonable control, including (but not limited to) pandemics, epidemics or endemics, nuclear accident, acts of God, war or terrorist activity, riot, civil commotion, malicious damages (excluding malicious damage involving your employees or your sub-contractors), compliance with any law or governmental order or regulation, accident, industrial action by employees of any provider of electrical power, breakdown of plant or machinery, fire, flood or storm (a "Force Majeure Event") subject to Eaton promptly notifying you in writing of the reasons for the delay and the expected duration of the delay.

儘管本協議中另有規定，如果在提供產品軟體或對產品軟體的支援方面的延誤是由於或可歸因於超出其合理控制範圍的行為、事件或疏忽，伊頓不對該等延誤負責，但伊頓應及時以書面形式通知貴方延誤的原因和預計延誤的時間。前述超出其合理控制範圍的行為、事件或疏忽包括（但不限於）流行病、傳染病或地方病、核事故、天災、戰爭或恐怖活動、暴亂、內亂、惡意損害（不包括涉及貴方雇員或貴方分包商的惡意損害）、遵守任何法律或政府命令或條例、事故、任何電力供應商的雇員的工業行動、工廠或機器的故障、火災、洪水或風暴（“不可抗力事件”）。

- 24.2 The performance of Eaton shall be suspended during the period that the Force Majeure Event persists and Eaton shall be granted an extension of time for performance equal to the period of the delay arising as a result of the Force Majeure Event.

在不可抗力事件持續存在期間，伊頓應暫停履行義務，且您應給予伊頓相當於因不可抗力事件而產生的延遲時間的履行期延長。

- 24.3 If a Force Majeure Event continues for more than sixty (60) calendar days, Eaton may terminate this Agreement immediately by notice in writing and neither shall be liable to the other by reason of this termination.

如果不可抗力事件持續超過六十（60）個日曆日，伊頓可書面通知立即終止本協議，雙方均不因該終止而對對方負責。

25. MISCELLANEOUS

雜項條款

- 25.1 If a term is found unenforceable or invalid, that term will be enforced to the maximum extent permissible and the remaining provisions of the Agreement will remain in full force and effect and an enforceable term will be substituted reflecting our intent as closely as possible. You may not assign or transfer any of your rights under this Agreement, and any such attempt will be void. Eaton may freely assign or transfer its rights to any of its affiliates or subsidiaries, or to any successor in interest of any business associated with the Product Software. Subject to the foregoing, this Agreement will bind and ensure to the benefit of the parties, their successors and permitted assigns. Eaton's failure to enforce a term of this Agreement is not a waiver of its right to do so later. No failure or delay by Eaton or its affiliates to exercise any right or enforce any obligation shall impair or be construed as a waiver or ongoing waiver of that or any other right or power. Waiving one breach will not be construed to waive any succeeding breach. All waivers must be in writing and signed by the party waiving rights.

如果某一條款被認定為不可執行或無效，該等條款將在可允許的最大範圍內予以執行，本協議的其餘條款將繼續擁有完整的效力，並將以盡可能反映我方意圖的可執行條款予以替代。您不得轉讓或轉移您在本協議下的任何權利，任何此類嘗試都是無效的。伊頓可以自由地將其權利轉讓給其任何關聯公司或子公司，或與產品軟體相關的任何業務的利益繼承人。在遵守上述規定的前提下，本協議將對各方、其繼承人和允許的受讓人具有約束力並確保其利益。伊頓未能執行本協議的某一條款，並不表示其放棄以後這樣做的權利。伊頓或其關聯公司未能或延遲行使任何權利或執行任何義務，不得損害或被解釋為對該權利或任何其他權利或權力的放棄或持續放棄。放棄一項違約行為不應解釋為放棄任何後續的違約行為。所有放棄必須是書面的，並由放棄權利的一方簽署。

26. REGULATORY MATTERS

監管事項

- 26.1 The Product Software, Documentation and Materials as well as parts of any of these (e.g. new versions, releases, updates, upgrades, patches, fixed or correction of the Product Software) are subject to export laws of various countries, including, without limitation, the laws of the United States, the EU and Ireland ("Export Laws"). You agree that you will not submit the Product Software, Documentation or other Materials or parts of any of these to any government agency for licensing consideration or other regulatory approval without the prior written consent of Eaton, and that you will not export, re-export or import any Product Software, Documentation and/or Materials to countries, persons or entities prohibited by any applicable Export Law. You represent and warrant that you are not located within an embargoed nation and that you are not otherwise prohibited under the Export Laws from receiving access to or using the Product Software, Documentation or other Materials. In that context, you are responsible for complying with all applicable Export Laws. If Eaton wants to deliver and/or grant access to the Product Software, Documentation, Materials, or parts of any of these directly to you, you will support Eaton in obtaining any required authorization, approval or other consent from the competent authorities, by providing any necessary or useful declarations or other necessary or useful information, e.g. end user certificates, as may be requested by Eaton. You acknowledge that the delivery of and/or granting of access to the Product Software, Documentation and Materials as well as parts of any of these may be subject to the prior obtaining of export or import authorisations or both from the competent authorities and that this process may (i) considerably delay or prevent the delivery of and/or granting of access to the Product Software, Documentation and Materials or part of any of these, (ii) impact Eaton's ability to provide services and (iii) lead to Eaton having to limit, suspend or terminate your access to any services.

產品軟體、檔和材料以及其中的任何部分（例如，產品軟體的新版本、發行、更新、升級、補丁、修復或修正）均受各國出口法約束，包括但不限於美國、歐盟和愛爾蘭的法律（“出口法”）。您同意，未經伊頓事先書面同意，您不會將產品軟體、檔或其他材料或其中的任何部分提交給任何政府機構進行許可考慮或其他監管審批，並且，您不會向任何適用的出口法禁止的國家、個人或實體出口、再出口或進口任何產品軟體、檔和/或材料。您聲明並保證，您不在禁運國家內，而且根據出口法，您沒有被禁止接受或使用產品軟體、檔或其他材料。在這種情況下，您有責任遵守所有適用的出口法。如果伊頓希望直接向您交付和/或授予對產品軟體、檔、材料或其中任何部分的訪問權，您將支持伊頓從主管當局獲得任何必要的授權、批准或其他許可，提供伊頓可能要求的任何必要或有用的聲明或其他必要或有用的資訊，例如最終使用者證書。您認可，產品軟體、檔和材料以及其中任何部分的交付和/或授權使用可能需要事先從主管部門獲得出口或進口授權或兼而有之，而這一過程可能：(i)顯著延遲或阻止產品軟體、檔和材料或其中任何部分的交付和/或授權使用；(ii)影響伊頓提供服務的能力和(iii)導致伊頓不得不限制、中止或終止您使用任何服務。

26.2 Eaton assumes no responsibility or liability:

伊頓不承擔任何責任或義務：

- i. For any delay caused in the delivery and/or granting of access to the Product Software, Documentation and Materials or parts of any of these due to export or import authorizations or both having to be obtained from the competent authorities;
由於需要從主管當局獲得出口或進口授權或兩者兼而有之，而導致交付和/或允許使用產品軟體、檔和材料或其中任何部分的延誤；
- ii. If any required authorization, approval or other consent for the delivery of and/or granting of access to Product Software, Documentation and Materials or parts of these cannot be obtained from the competent authorities; and
如果無法從主管當局獲得任何所需的授權、批准或其他許可，以交付和/或授予對產品軟體、檔和材料或其中部分的訪問權；以及
- iii. If the delivery of and/or granting of access to the Product Software, Documentation and Materials or parts of any of these is prevented due to applicable Export Laws; and
如果根據適用的出口法，產品軟體、檔和材料或其中任何部分的交付和/或授予訪問權受到阻礙；以及
- iv. If access to any services has to be limited, suspended or terminated due to applicable Export Laws.
如果根據適用的出口法，必須限制、中止或終止對任何服務的訪問。

26.3 Eaton may terminate this Agreement with thirty (30) days' prior written notice if Eaton may not deliver or grant access to the Product Software, Documentation and Materials to you due to an embargo or other comparable trade sanction, which is expected to be in place for six (6) months or longer.

如果伊頓因禁運或其他類似的貿易制裁而不能向您提供或准許您訪問產品軟體、檔和材料，且該禁運或貿易制裁預計將持續六（6）個月或更長時間，伊頓可提前三十（30）天書面通知您終止本協議。

26.4 If the Product Software is licensed to agencies of the U.S. Government, the Product Software is a "commercial item" as that term is defined at 48 C.F.R. § 2.101, consisting of "commercial computer software" and "commercial computer software documentation", as such terms are used in 48 C.F.R. § 12.212, and is provided to the U.S. Government only as a commercial end item. Consistent with 48 C.F.R. § 12.212 and 48 C.F.R. §§ 227.7202-1 through 227.7202-4, all U.S. Government End Users acquire the Product Software with only those rights set forth herein. Contractor/manufacturer is Eaton Corporation, 1000 Eaton Boulevard, Cleveland, Ohio 44122.

如果產品軟體被授權給美國政府機構，則產品軟體是一個“商業物項”（定義見 48 C.F.R. § 2.101），由“商業電腦軟體”和“商業電腦軟體檔”構成（該術語見 48 C.F.R. § 12.212），且僅作為一個商業終端物項提供給美國政府。根據 48 C.F.R. § 12.212 和 48 C.F.R. §§ 227.7202-1 至 227.7202-4，所有美國政府最終使用者在獲得產品軟體時只享有本協定規定的權利。承包商/製造商為伊頓公司，地址為 1000 Eaton Boulevard, Cleveland, Ohio 44122。

27. GOVERNING LAW AND JURISDICTION

准據法和管轄權

- 27.1 The validity, construction and enforceability of this Agreement shall be governed in all respects by the laws of CHINA.本協議的效力、解釋和執行都應受所有中國法律的管轄。
- 27.2 Any dispute arising out of or in connection with this Agreement shall be first settled by friendly consultation between the Parties. If the Parties cannot resolve such dispute within sixty (60) days after a notice of settlement is sent, it shall be referred to and finally submitted China International Economic and Trade Arbitration Committee("CIETAC") for arbitration(the arbitration place is in Shanghai) which shall be conducted in accordance with the CIETAC's arbitration rules in effect at the time of applying for arbitration. The arbitral award is final and binding upon both parties.

由本協定引起的或與本協議有關的任何爭議，應首先由雙方友好協商解決。如果雙方在發出解決通知後六十（60）天內不能解決該爭議，則應提交中國國際經濟貿易仲裁委員會（“CIETAC”）進行仲裁（仲裁地點在上海），仲裁應按照申請仲裁時有效的CIETAC仲裁規則進行。仲裁裁決是終局的，對雙方均具有約束力。

28. AGREEMENT

協議

- 28.1 This Agreement (and any associated order form or other agreements referenced herein) constitutes the entire and exclusive agreement between you and Eaton with respect to the subject matter of this Agreement, and supersedes and replaces any other prior or contemporaneous agreements, or terms and conditions applicable to the subject matter of this Agreement. No provisions in your purchase orders, or in any other business forms employed by you, will supersede the terms and conditions of this Agreement.

本協定（以及任何相關的訂單表格或本協定中提及的其他協定）構成您與伊頓之間關於本協議標的物的完整的和排他性的協議，並取代和替代任何其他先前或同期的協定或適用於本協定標的物的條款和條件。您的採購訂單或您採用的任何其他商業形式中的任何規定都不會取代本協議的條款和條件。

29. LANGUAGE

語言

This Agreement is made in English and Chinese. If there is any inconsistency, misunderstanding, discrepancy or conflict between English and Chinese language, English language shall prevail.

本協議以英文和中文書寫。如果英文和中文之間有任何不一致、誤解、差異或衝突，以英文為準。

30. CONTACT US

聯繫我們

Any questions regarding this Agreement should be directed to

Eaton at:關於本協議的任何問題，應向伊頓提出，地址是：

| | |
|----------------------|----------------------|
| Eaton | 伊頓 |
| Attn: IP Law Group | 收件人：智慧財產權法組 |
| 1000 Eaton Boulevard | 1000 Eaton Boulevard |
| Mail Code 4N | 郵件代碼：4N |
| Cleveland, OH 44122 | Cleveland, OH 44122 |

| | |
|---|--|
| Eaton | 伊頓 |
| Attn: Global Data Protection and Privacy Office | 收件人：全球資料保護和隱私辦公室 |
| 1000 Eaton Boulevard | 1000 Eaton Boulevard |
| Cleveland, OH 44122 | Cleveland, OH 44122 |
| Email: dataprotection@eaton.com | 郵件： dataprotection@eaton.com |

Customer Service Contact

Information: Phone: 400-889-3938

Email:

4008893938@eaton.com消費

者服務聯繫資訊。

電話：400-889-3938

電子郵件：4008893938@eaton.com

APPENDIX 1A

附錄 1A

Not applicable

不適用

Third Party Software

協力廠商軟體

APPENDIX 1B

附錄 1B

Not applicable

不適用

Eaton Open Source Components

伊頓開源組件

目 錄

| | |
|-----------------------------------|----|
| 第 1 章 安全警示..... | 1 |
| 1.1 認證..... | 2 |
| 1.2 用戶注意事項..... | 3 |
| 1.3 手冊的使用..... | 3 |
| 1.4 環境..... | 4 |
| 1.5 獲取幫助..... | 4 |
| 第 2 章 簡介..... | 5 |
| 2.1 UPS系統內部結構..... | 8 |
| 2.2 UPS 運行模式..... | 9 |
| 2.2.1 市電在線運行模式..... | 9 |
| 2.2.2 電池模式..... | 11 |
| 2.2.3 旁路模式..... | 12 |
| 2.3 UPS 特性..... | 13 |
| 2.3.1 高級電池管理 (ABM) | 13 |
| 2.3.2 伊頓熱同步無線並機技術 (HotSync) | 13 |
| 2.4 軟體和通訊特性..... | 13 |
| 2.4.1 使用者介面..... | 13 |
| 2.4.2 電源管理軟體..... | 13 |
| 2.5 電池系統..... | 14 |
| 2.6 基本系統組態..... | 14 |
| 第 3 章 UPS安裝計畫..... | 15 |
| 3.1 制訂安裝計畫..... | 15 |
| 3.2 現場準備..... | 16 |
| 3.2.1 環境和安裝注意事項..... | 16 |
| 3.2.2 UPS系統電源配線準備 | 20 |
| 3.2.3 UPS 系統介面配線準備 | 24 |
| 第 4 章 UPS 系統安裝 | 25 |
| 4.1 預備安裝資訊..... | 25 |
| 4.2 UPS機櫃的檢查和開箱 | 25 |
| 4.3 系統安裝..... | 28 |
| 4.3.1 機械安裝..... | 28 |
| 4.3.2 線纜安裝..... | 28 |
| 4.4 安裝外部電池櫃..... | 31 |
| 4.5 UPS 並機系統接線 | 31 |
| 4.5.1 電源線概述..... | 32 |

| | | |
|--------|---------------------------|----|
| 4.5.2 | 控制信號概述..... | 34 |
| 4.5.3 | 並機控制配線的安裝..... | 35 |
| 第 5 章 | 通訊介面..... | 36 |
| 5.1 | MINI型通訊卡..... | 38 |
| 5.2 | 智慧電源軟體..... | 39 |
| 5.3 | 信號輸入監控..... | 39 |
| 第 6 章 | UPS操作說明..... | 40 |
| 6.1 | UPS控制台和指示燈..... | 40 |
| 6.1.1 | 彩色觸控式螢幕控制台..... | 40 |
| 6.2 | 控制台的使用..... | 41 |
| 6.2.1 | 狀態指示燈..... | 41 |
| 6.2.2 | 系統日誌..... | 41 |
| 6.2.3 | 觸控式螢幕的使用..... | 42 |
| 6.2.4 | 功能表的使用..... | 42 |
| 6.2.5 | 儀錶 (Meters) 功能表的使用..... | 43 |
| 6.2.6 | 控制 (Control) 功能表的使用..... | 45 |
| 6.2.7 | 日誌 (Log) 功能表的使用..... | 48 |
| 6.2.8 | 訊息 (Info.) 功能表的使用..... | 49 |
| 6.2.9 | 設置 (Setting) 功能表的使用..... | 50 |
| 6.2.10 | 服務提醒功能的使用..... | 55 |
| 6.3 | 系統操作..... | 57 |
| 6.3.1 | “在線” 模式下啟動UPS(預設模式)..... | 57 |
| 6.3.2 | “旁路” 模式下啟動UPS..... | 57 |
| 6.3.3 | “在線” 模式到 “旁路” 模式的轉換..... | 58 |
| 6.3.4 | “旁路” 模式到 “在線” 模式的轉換..... | 58 |
| 6.3.5 | “在線” 模式到 “EAA” 模式的轉換..... | 58 |
| 6.3.6 | “ESS” 模式到 “在線” 模式的轉換..... | 59 |
| 6.3.7 | 系統關機..... | 59 |
| 6.4 | 單機操作..... | 60 |
| 6.4.1 | 單機啟動..... | 60 |
| 6.4.2 | UPS 關機..... | 60 |
| 6.5 | 遠端緊急斷電 (REPO) 開關的使用..... | 61 |
| 6.6 | “在線” 模式到 “維護旁路” 的轉換..... | 62 |
| 6.7 | “維護旁路” 到 “在線” 模式的轉換..... | 63 |
| 第 7 章 | UPS維護..... | 64 |
| 7.1 | 重要安全指導..... | 64 |
| 7.2 | 進行預防性維護..... | 65 |
| 7.2.1 | 日維護..... | 65 |
| 7.2.2 | 月維護..... | 65 |

| | | |
|--------|--------------------|----|
| 7.2.3 | 定期維護..... | 66 |
| 7.2.4 | 年維護..... | 66 |
| 7.2.5 | 電池維護..... | 66 |
| 7.3 | 安裝電池..... | 67 |
| 7.4 | 維護培訓..... | 67 |
| 第 8 章 | 產品技術指標..... | 68 |
| 8.1 | 型號..... | 68 |
| 8.2 | 技術指標..... | 68 |
| 8.2.1 | 標準..... | 68 |
| 8.2.2 | UPS 輸入..... | 69 |
| 8.2.3 | UPS 輸出..... | 69 |
| 8.2.4 | 電池規格..... | 70 |
| 8.2.5 | 環境..... | 70 |
| 第 9 章 | 保固..... | 72 |
| 第 10 章 | 安裝檢查單..... | 73 |
| 附錄 A: | 用戶設置..... | 75 |
| 附錄 B: | 產品中有害物質的名稱及含量..... | 76 |

圖列表

| | |
|---|----|
| 圖2-1: Eaton 93ETX UPS | 5 |
| 圖2-2: 20-40k產品結構圖..... | 6 |
| 圖2-3: 60-80k產品結構圖..... | 7 |
| 圖2-4: UPS 線路圖..... | 8 |
| 圖2-5: 雙轉換模式下的電能通過UPS的路徑 | 9 |
| 圖2-6: ESS 模式下電能通過 UPS 的路徑..... | 11 |
| 圖2-7: 電池模式下電能通過 UPS 的路徑..... | 11 |
| 圖2-8: 旁路模式電能通過 UPS 的路徑..... | 12 |
| 圖3-1: UPS 機櫃預留空間..... | 17 |
| 圖3-2: UPS 尺寸 (20-40k)..... | 18 |
| 圖3-3: UPS 尺寸 (60-80k)..... | 19 |
| 圖4-1: 20-80k拆箱圖 | 27 |
| 圖4-2: 蓋板和連接端子位置 (20-40k) | 29 |
| 圖4-3: 蓋板和連接端子位置 (60-80k) | 30 |
| 圖4-4: 並機UPS系統的原理圖..... | 33 |
| 圖4-5: 並機UPS系統的CAN和Pull-Chain的簡化配線 | 35 |
| 圖5-1: 通訊介面..... | 36 |
| 圖5-2: 千兆網路卡..... | 38 |
| 圖5-3: 二代環境偵測器..... | 38 |
| 圖5-4: 工業閘道卡..... | 38 |
| 圖5-5: 標準AS400/RS232卡..... | 39 |
| 圖6-1: 控制台和指示燈..... | 40 |
| 圖6-2: 觸控式螢幕組成部分 (Home介面) | 42 |
| 圖6-3: 功能表介面..... | 42 |
| 圖6-4: 輸入介面..... | 43 |
| 圖6-5: 輸出介面..... | 44 |
| 圖6-6: 旁路介面..... | 44 |
| 圖6-7: 電池介面..... | 44 |
| 圖6-8: 密碼正確介面..... | 45 |
| 圖6-9: 系統介面..... | 46 |
| 圖6-10: 切換旁路介面 | 46 |
| 圖6-11: 確認介面 | 46 |
| 圖6-12: UPS介面..... | 47 |
| 圖6-13: UPM介面..... | 47 |
| 圖6-14: UPM關機介面..... | 47 |
| 圖6-15: 當前告警介面 | 48 |
| 圖6-16: 歷史告警介面 | 48 |

| | |
|---------------------|----|
| 圖6-17: 清除告警介面 | 49 |
| 圖6-18: 資訊1介面 | 49 |
| 圖6-19: 資訊2介面 | 49 |

| | |
|-------------------------|----|
| 圖6-20: 設置密碼正確介面..... | 50 |
| 圖6-21: 設置介面..... | 50 |
| 圖6-22: 設置-通用介面..... | 51 |
| 圖6-23: 設置-通用-時間介面..... | 51 |
| 圖6-24: 設置-輸出介面..... | 52 |
| 圖6-25: 設置-參數介面..... | 52 |
| 圖6-26: 設置-密碼介面..... | 52 |
| 圖6-27: 修改控制密碼介面..... | 53 |
| 圖6-28: 修改控制密碼介面..... | 53 |
| 圖6-29: 修改控制密碼介面..... | 53 |
| 圖6-30: 修改控制密碼介面..... | 54 |
| 圖6-31: 修改設置密碼介面..... | 54 |
| 圖6-32: 服務維護提醒介面..... | 55 |
| 圖6-33: 服務維護提醒設置介面..... | 55 |
| 圖6-34: 服務提醒功能位置..... | 56 |
| 圖6-35: 各項服務提醒設置頁面..... | 56 |
| 圖6-36: 風扇更換日期提醒設置..... | 56 |
| 圖6-37: 在線模式下開關狀態..... | 62 |
| 圖6-38: 維護旁路模式下開關狀態..... | 62 |
| 圖6-39: 維護旁路模式下開關狀態..... | 63 |
| 圖6-40: 在線模式下開關狀態..... | 63 |
| 圖7-1: 空氣過濾網位置..... | 66 |

表列表

| | |
|---|----|
| 表1-1：術語表..... | 4 |
| 表2-1：標準和可選的UPS配件 | 14 |
| 表3-1：尺寸與重量..... | 17 |
| 表3-2：UPS 機櫃的最小預留空間 | 17 |
| 表3-3：UPS 額定輸入/輸出及外部接線要求（單位：mm ² ） | 21 |
| 表3-4：20-20K 接線端子和扭力要求..... | 22 |
| 表3-5：30-40K 接線端子和扭力要求..... | 22 |
| 表3-6：60-80K 接線端子和扭力要求..... | 23 |
| 表6-1：狀態指示燈..... | 41 |
| 表6-2：顯示功能功能表圖..... | 43 |
| 表6-3：Meters功能功能表圖..... | 43 |
| 表6-4：控制（Control）的功能表圖..... | 45 |
| 表6-5：日誌（Log）的功能表圖。 | 48 |
| 表6-6：顯示設定（Setting）的功能表結構..... | 50 |
| 表8-1：ANSI/ISA-71.04-2013 表 B1 對G1設備所在環境氣體濃度的建議..... | 71 |
| 表8-2：儲存時間1年以內的運輸與儲存環境要求 | 71 |
| 表11-1：使用者配置..... | 75 |
| 表11-2：配置設置..... | 75 |

第 1 章 安全警示

重要安全使用說明

保存這些說明

本手冊包含了在安裝和維修 UPS 與電池的過程中應遵守的重要說明，請在操作前閱讀這些說明並妥善保存此手冊，以備將來查詢。

該 UPS 含主輸入、電池供電、旁路供電。含致命電壓和危險電流的元器件。外殼安裝必須永久性接地並達到 IP21 等級以防電擊和異物進入。UPS 系統是一個複雜的電源系統，僅允許合格人員安裝和服務。



危險

本 UPS 中存在致命電壓。僅限經過授權的維修人員執行所有修理和維修作業。UPS 中不存在使用者可維修的零件。



警告

- 在接通電源和產品操作之前必須先接地。
- 即使當 UPS 從交流電源斷開時，輸出端也可能攜帶危險電壓。
- 即使 UPS 關機後，客戶接線端子台也可能攜帶危險電壓。至少應等待 5 分鐘，讓電容器放完電，並用萬用表確認後再接近接線端子台。
- 為了減少失火或電擊的危險，可將 UPS 安裝在一個溫度和濕度可控的室內環境中，並且確保室內無導電性雜質，環境溫度不得超過 40°C (94°F)。請勿在水附近或濕度過高的地方（最大濕度 95%）進行操作。本系統不適用於戶外。
- 連接負載也可能造成大漏電流，在接通電源和產品操作之前必須先接地。當 UPS 帶載運行時，禁止通過任何操作包括斷開地線連接去確認 UPS 的運行狀態。
- 確保在進行安裝或維修前斷開所有電源。
- 在並機系統中，當 UPS 從交流電源斷開時，輸出端仍攜帶危險電壓。
- 電池可能引起電擊或由於高短路電流而產生燒傷，應執行下列預防措施：1) 摘下手錶、戒指或其它金屬物體；2) 使用帶絕緣手柄的工具；3) 不要在電池上放置工具或金屬零件；4) 戴上橡膠外套並穿上膠靴。
- 電能的危險性。請勿試圖改變任何電池配線或連接線，否則可能會導致傷害。
- 禁止打開或拆解電池。釋放的電解液可能有毒，會對皮膚和眼睛造成傷害。
- 重要：電池可能由多個並聯連接，安裝前斷開所有連接。
- 該 UPS 僅適宜安裝在混凝土或不易燃的表面上。

**注意**

- 安裝或維修應由在 UPS、電池和必需的預防措施方面具有豐富知識的有資質的維修人員執行。任何未經授權的人員都應遠離設備，在安裝或更換電池前應仔細考慮所有的警告、注意和說明條目中的指示。當 UPS 在“電池”模式時，請勿斷開電池。
 - 連接電源之前請查看安裝說明書。
 - 確定電池是否無意中接地，如果是，清除接地的電源。接觸一個接地電池的任何部分可能導致觸電。
 - 更換電池時，應使用與 UPS 中原裝電池相同型號及相同規格參數的電池。
 - 在連接或斷開接線端之前，斷開充電電源。
 - 應對廢舊電池進行適當的處理，參考當地的有關處理規範。
 - 切勿將電池投入火中，電池在火中可能會爆炸。
 - 保持 UPS 門關閉，以確保適當的冷卻氣流，並保護操作人員其免受設備內部危險電壓的傷害。
 - 不要在靠近煤氣或電熱源處操作 UPS 系統。
 - 操作環境應保持在本手冊規定的參數範圍內。
 - 遵守所有附在設備內外的“危險”、“注意”和“說明”警示。
-

**注意**

當抬起或移動機櫃時，為防止對底座中的佈線通道和佈線造成損壞，請遵循以下操作程式：

- 移動帶包裝的機櫃時，僅限使用左側或右側叉車插槽抬起並移動。
- 確認叉車貨叉處於水準位置插入到叉車插槽中。請勿將貨叉向上傾斜。
- 叉車必須穿過整個棧板底座。

如果不遵循這些說明，會對佈線通道和佈線造成損壞。

1.1 認證

產品符合 EMC 指令 2004/108/EC 認證。

可以通過網址 <http://powerquality.eaton.com> 或當地伊頓辦事處及已授權的合夥人獲取 UPS EN 62040- 1 (Safety) 和 EN 62040-2(EMC) 標準的申明。

1.2 用戶注意事項

僅允許用戶操作：

- UPS 開機和關機，不包括調試開機；
- 液晶控制台的使用；
- 可選的連接模組和軟體的使用。

客戶必須遵循預防措施，僅執行上述操作。任何偏離指令可能會造成危險或意外損害負載。



注意

- 客戶不允許打開除連接板和 MBS 鎖定板之外的任何螺絲。防止電氣危害。
- 如本產品用於 C2 類環境中，應採取附加措施進一步抑制電磁干擾。本產品適用於 C3 類環境，即所有商業和工業環境。

1.3 手冊的使用

此手冊介紹如何安裝和使用 UPS。請務必詳細閱讀並理解手冊中描述的過程，這樣才能順利地進行安裝和操作。

此手冊中的資訊被分成了不同的部分和章節。請務必閱讀手冊中的系統選項以及附件安裝指示。

以下是 UPS 或附件上出現的，警示重要資訊的符號圖例：

黑體字

黑體字 - 突出所討論的重要概念、程式中的關鍵術語和功能表選項，在提示中代表您要鍵入或輸入的指令或選項。



電擊危險 - 表明存在電擊危險，應該遵守相關注意事項。



注意：請參考操作指南 - 詳細資訊如重要操作、維護說明等，請參考操作手冊。



用來使人注意重要特徵或說明的資訊。



此標誌表明不應將 UPS 或 UPS 電池丟入垃圾桶。此產品含有密封的酸性電池，必須做適當的處理。更多資訊請諮詢當地廢品回收利用或有害廢物回收中心。



此標誌表明不應將電氣設備或電子設備丟進垃圾桶。請聯繫當地廢品回收利用或有害廢物回收中心，對廢棄物進行適當的處理。

下表符號與術語會在本手冊中使用，請正確識別並知其含義。

表1-1：術語表

| 術語 | 說明 |
|-----------|------------------------------------|
| UPS | 不斷電供應系統，包含機櫃和其內部元件。 |
| UPS 系統 | 整個電源保護系統 - 即 UPS 機櫃、電池箱、選配件或安裝的附件。 |
| STS | 靜態轉換開關 |
| CM | 通訊模組 |
| HMI | 人機介面（顯示模組） |
| Mini-Slot | MINI 型通訊卡 |
| EPO 開關 | 緊急關斷開關 |
| MBS | 維護旁路開關 |
| REPO | 遠程緊急關斷 |
| ABM | 高級電池管理 |
| HotSync | 熱同步無線並機技術 |
| EAA | 高級節能解決方案 |
| ESS | 高效模式 |
| K1 | 輸入繼電器 |
| K2 | 電池繼電器 |
| K3 | 逆變繼電器 |
| TB | 端子排 |
| VRLA | 閥控鉛酸 |

1.4 環境

根據手冊建議，應在乾淨、平穩的環境中安裝 UPS，避開震動、灰塵、高濕、可燃性氣體、可燃性液體或腐蝕性物質環境。更多關於環境的要求請參閱章節 [3.2.1](#)。



警告

在電池充電、浮充、深度放電和過充的過程中會向周圍空氣中散發氫氣和氧氣。如果氫氣在空氣中含量超過 4%，將會生成爆炸性氣體混合物。必須保證 UPS 放置位置的空氣流通率。

1.5 獲取幫助

可與當地辦事處與經銷商詢問 UPS 與電池櫃的任何問題。需提供設備型號和序號。如需在以下某方面獲取幫助，請致電客服人員。

- 安排初次開機
- 得到地區服務點及其電話號碼
- 對手冊中資訊的任何疑問
- 手冊中未涉及到的問題

請致電客服人員，24 小時服務熱線 0800-011-912。

第 2 章 簡介

Eaton 93ETX UPS 採用當今最先進的電力電子技術，充分考慮使用者負載特性和實際使用環境類型，以及伊頓在電源系統設計方面近 50 年的先進技術和豐富經驗，由伊頓全球團隊共同精心打造的一款為最關鍵負載提供高可靠供電保護的不斷電系統。可以全面滿足資料中心、金融中心、企業機房、工業自動化、教育系統、醫療系統或大型辦公等應用場所的電力保障要求。

Eaton 93ETX 20-80 kVA UPS，適用於小型、中型及大型資料中心。業界領先的效率、可用性和性能，標準化、靈活性、擴展性、高適應性、按需購買，為客戶量身訂製的電源系統解決方案。

產品型號請參閱第 8.1 章節。



說明

開機調試必須由伊頓客戶服務工程師執行，否則第 9 章中的保固條款將失效。提供這項服務是 UPS 銷售合同的一部分。請事先聯繫（通常要求提前三個工作日通知），以便預約理想的開機日期。



圖2-1: Eaton 93ETX UPS

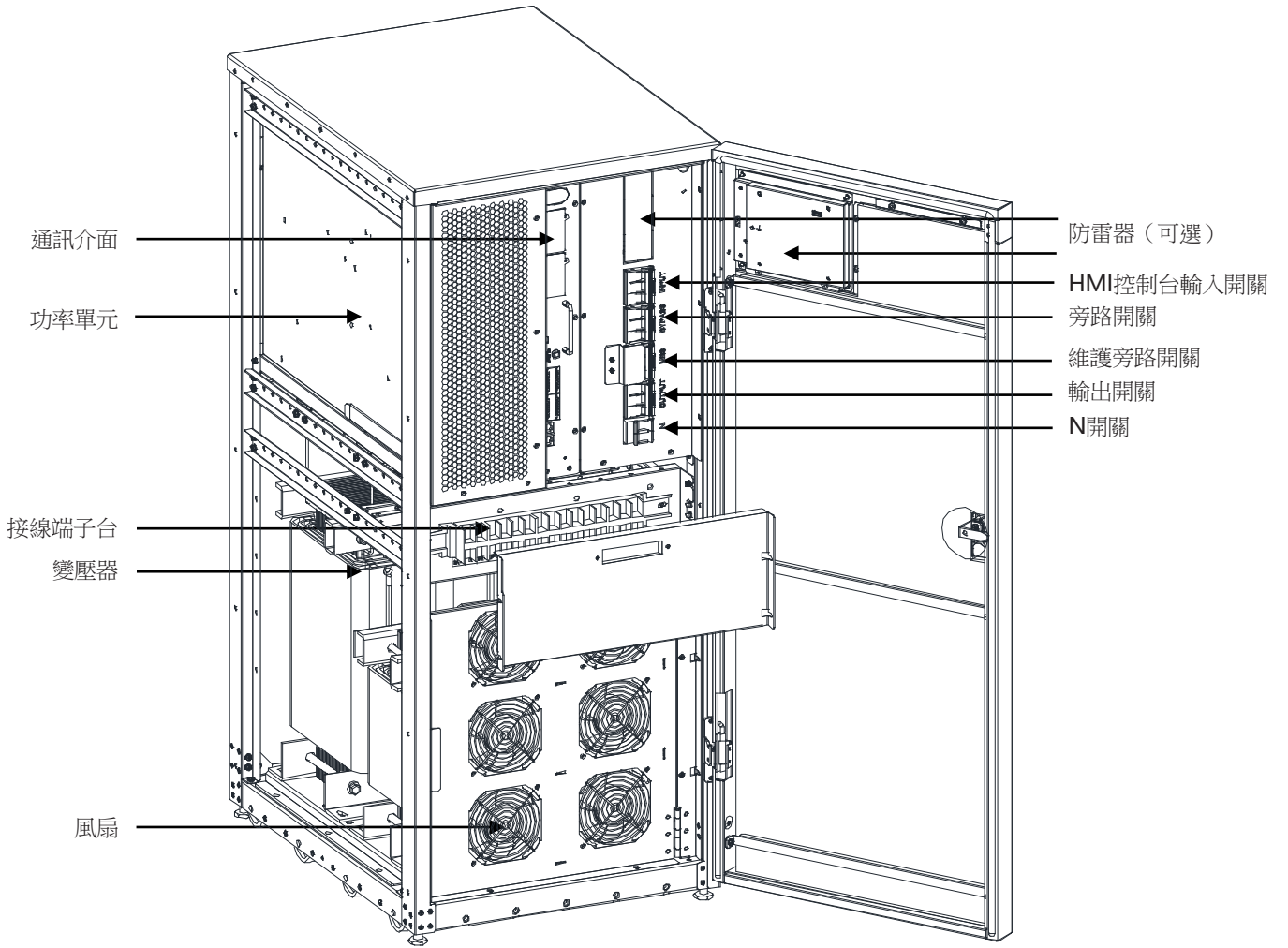


圖2-2: 20-40k產品結構圖

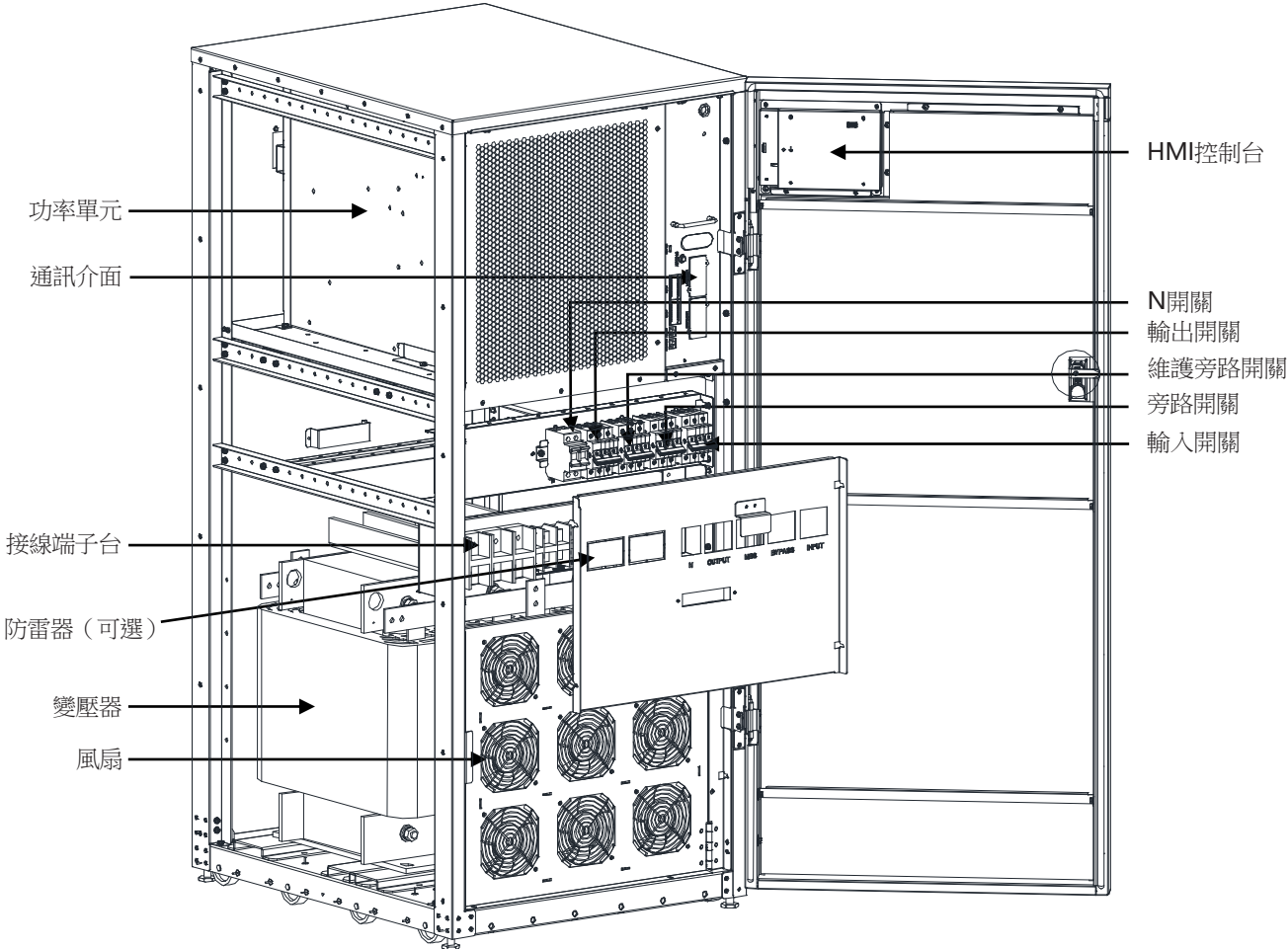


圖2-3: 60-80k產品結構圖

2.1 UPS系統內部結構

93ETX UPS 機櫃包含靜態旁路、N 線開關、整流輸入開關、逆變輸出開關、內部維護旁路開關以及旁路開關和輸出變壓器；UPS 不含內部電池；UPS 機櫃結構圖請參考圖 2-4。

功率模組包括整流器 (Rectifier)、電池變換器 (Battery converter)、逆變器 (Inverter) 和靜態旁路 (Static bypass)。

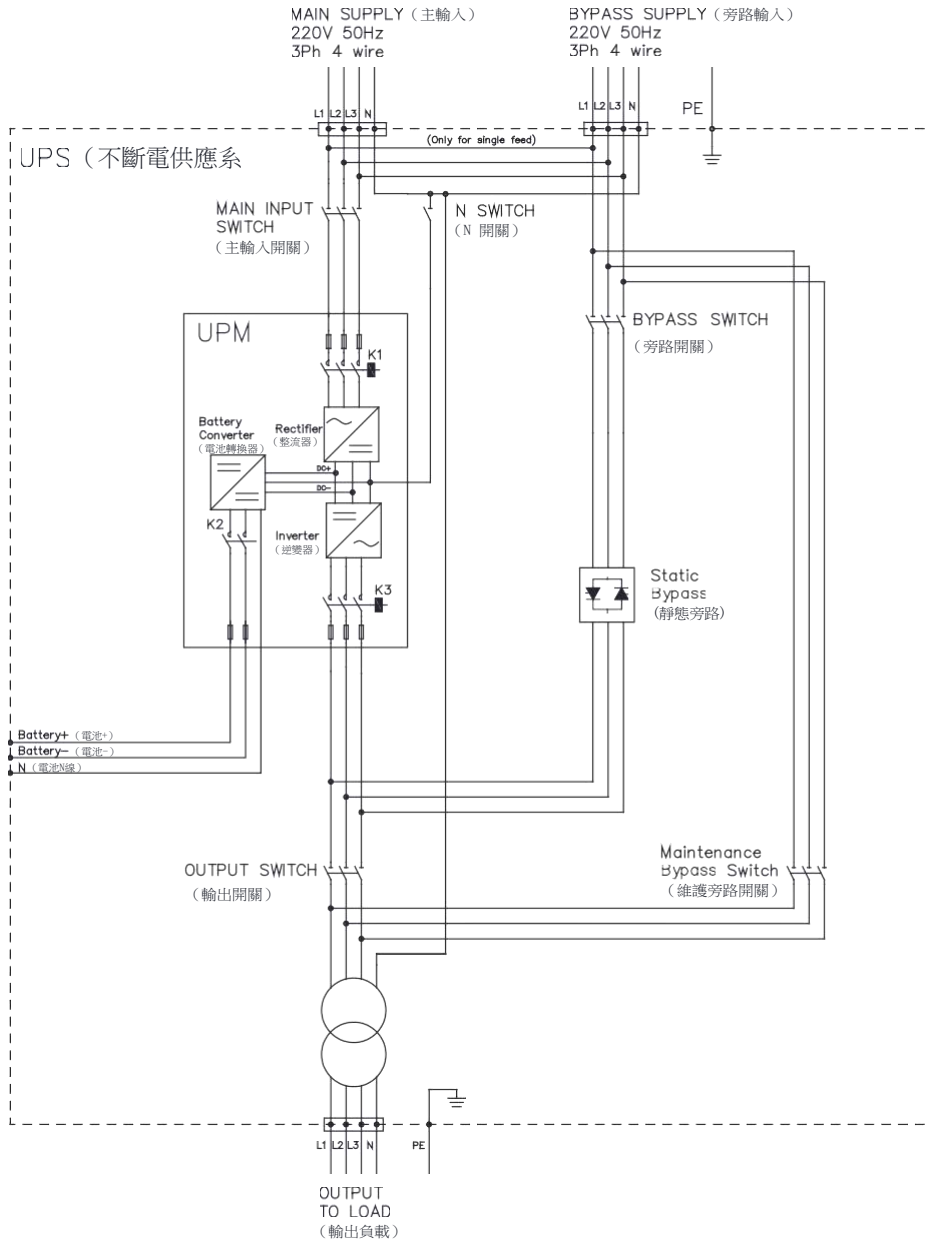


圖2-4: UPS 線路圖

如果發生市電斷電或超出第 8 章技術參數規定的參數範圍，UPS 將使用備用的電池為負載供電，電池供電時間為規定的一段時間或直到市電恢復正常。對於長時間的斷電，UPS 允許轉換到另外的電力系統（例如發電機）或按次序的關閉負載。

2.2 UPS 運行模式

UPS 運行模式：

- ◆ 市電在線運行模式
 - 雙轉換模式：由市電交流電源通過整流逆變給負載供電。在該模式下，電池充電器會根據需要給電池提供充電電流。
 - ESS 模式：市電通過靜態旁路開關為負載提供電源，當偵測到任何市電異常情況，系統通常在少於 2ms 時間內轉換到雙轉換模式。當運行在 ESS 模式時，系統內的浪湧抑制模組能夠保護負載。UPS 運行在 ESS 模式下效率更高，在不降低系統可靠性的情況下，顯著減少能源的損耗。
- ◆ 電池模式：備用的直流電源提供電能並通過 UPS 的逆變器轉換為交流電。VRLA 電池是這種模式下最常用的備用電源，這種運行模式稱為電池模式。
- ◆ 旁路模式：市電通過 UPS 的靜態開關直接給負載提供電源。

2.2.1 市電在線運行模式

在市電在線運行模式下，市電輸入為系統提供能量。前面板顯示幕顯示“在線模式”，表示輸入市電在 UPS 可接受的電壓和頻率範圍內。

2.2.1.1 雙轉換模式

圖 2-5 表示當 UPS 運行在雙轉換模式下電能通過 UPS 系統的路徑。

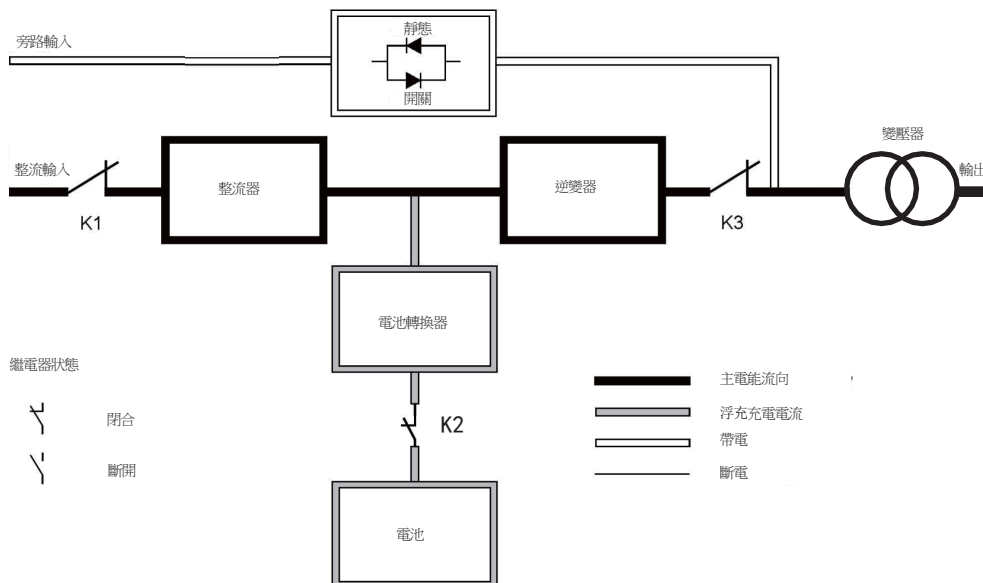


圖2-5: 雙轉換模式下的電能通過UPS的路徑

三相交流輸入電源通過 IGBT 組成的多電平變換器轉換為穩定的直流電壓，提供給逆變器。顯示幕顯示 UPS 的狀態為“在線模式”並且 UPS 的狀態為“運行中”。

電池變換器的輸入為整流器的輸出直流電，並且為電池提供可調節的充電電流。UPS 通常會接有電池，並且在輸入市電不可用時為逆變器提供能量。

逆變器為負載提供三相交流輸出。逆變器將整流器的輸出直流電通過 IGBT 和 PWM 的多電平轉換技術產生可控的交流輸出。

如果輸入市電掉電或超出範圍，UPS 自動轉換為電池模式給負載持續供電。當市電恢復正常，UPS 能夠自動轉換為雙轉換模式。

如果雙轉換模式超載或不可用，UPS 能夠準確無誤地轉換為旁路模式並且通過靜態旁路繼續為負載供電。當發生異常情況，例如長時間超載消除或系統運行參數恢復到規格範圍內，UPS 能夠自動返回到雙轉換模式。

如果由於大負載導致 UPS 沒有冗余時，UPS 將自動轉換到旁路模式，並且維持在旁路模式直到維護時將失效修正並恢復 UPS 到正常。

在外部並聯冗余系統中，每個 UPS 能夠從系統中隔離以便於維護，而其他 UPS 繼續在雙轉換模式下為負載供電。

2.2.1.2 ESS模式

在 ESS 模式下，UPS 直接為負載安全地提供匯流排電流，ESS 模式需要市電輸入在可接受的電壓和頻率範圍內。顯示幕上顯示的 UPS 狀態為“在線模式 ESS”，而且 UPS 的狀態為“運行中”。ESS 模式下的浪湧抑制和濾波確保為負載設備提供純淨的電能。當偵測到任何輸入電源的擾動，UPS 將轉換為雙轉換模式通過逆變器繼續為負載供電。如果輸入市電掉電或超出系統規格，UPS 自動轉換為電池模式給負載持續供電。

當運行於 ESS 模式，UPS 偵測和控制演算法持續監測輸入電源品質以便於滿足快速的模式轉換需求。UPS 通常能夠在小於 2ms 時間內準確無誤地轉換為雙轉換模式。

當輸入電源在接受的範圍內，UPS 運行在一個高效率，節能模式 - 為 IT 設備提供保護並確保為設備提供純淨的電源。

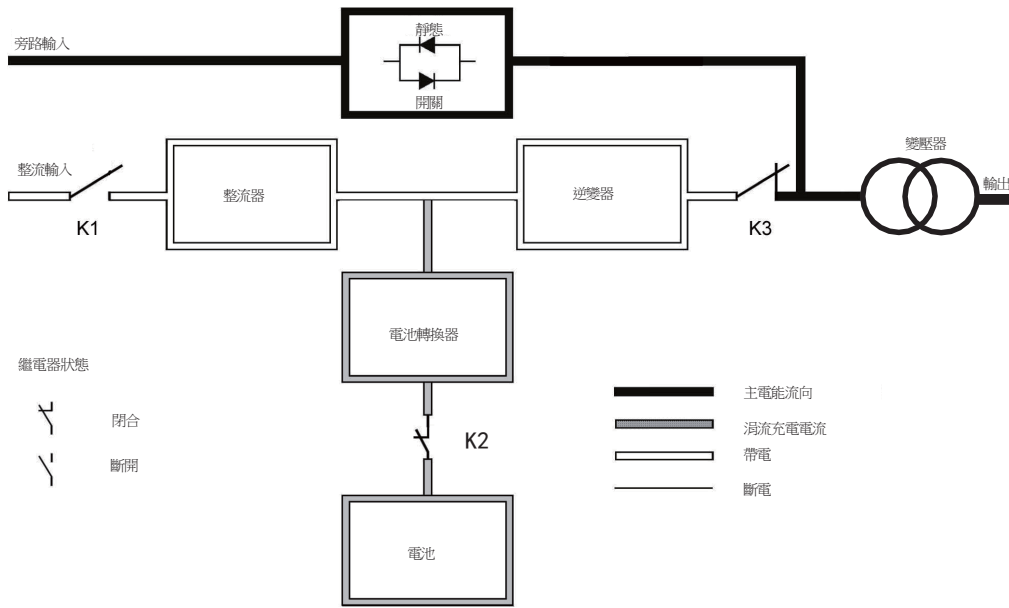


圖2-6: ESS 模式下電能通過 UPS 的路徑

2.2.2 電池模式

當運行於雙轉換模式或 ESS 模式，如果市電掉電或市電不符合規定的參數，UPS 將自動轉換為由電池或其他儲電的能源為負載供電。顯示幕上 UPS 的狀態為“電池模式”，並且 UPS 的狀態為“運行中”。在電池模式下，電池提供緊急直流電，並通過逆變器轉換為可控輸出。[圖 2-7](#) 表示當 UPS 運行於電池模式下，電流通過 UPS 的路徑。

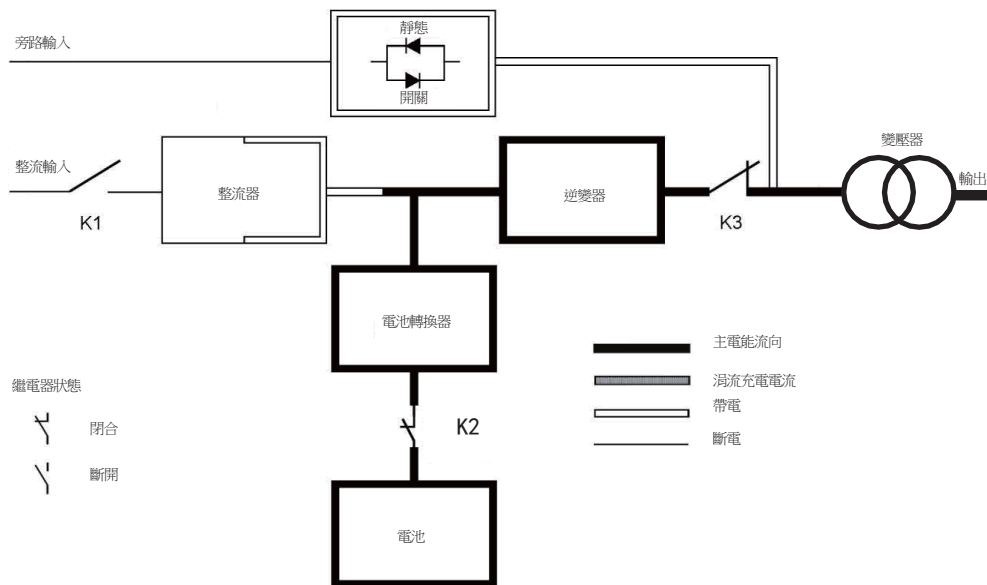


圖2-7: 電池模式下電能通過 UPS 的路徑

當市電發生故障時，整流器不能通過交流市電轉換為直流輸出為逆變器提供能量。輸入繼電器 K1 斷開，電池將通過逆變器提供 UPS 輸出。由於逆變器在轉換過程中不間斷運行，所以 UPS 可以為負載持續提供不間斷的穩定電源。如果 UPS 的靜態旁路和 UPS 的整流器是由一路市電提供，當市電和靜態旁路無法恢復或市電不在系統正常運行所需的規定範圍內，電池將持續放電到很低的電壓水準，此時逆變器將不能繼續給負載供電。當出現該事件，UPS 發出聲光告警，表示電池容量很低並且系統即將關機。除非市電恢復，在系統關機前，UPS 最多支援 2 分鐘的輸出。如果旁路電源可用，UPS 並不會關機而是轉換為旁路模式。

在電池放電的任何時候，一旦市電再次恢復正常，K1 將會合上，並且 UPS 返回到在線運行模式。UPS 將會開始給電池充電來恢復電池容量。

2.2.3 旁路模式

如果偵測到超載，負載錯誤或內部故障，UPS 自動轉換到旁路模式。旁路直接將市電提供給負載。也可以通過顯示幕將 UPS 手動轉換為旁路模式。顯示幕上顯示的 UPS 狀態為“旁路模式”。圖 2-8 表示當 UPS 系統運行于旁路模式下電能通過 UPS 的路徑。



注意

旁路模式下並不能保護關鍵負載。

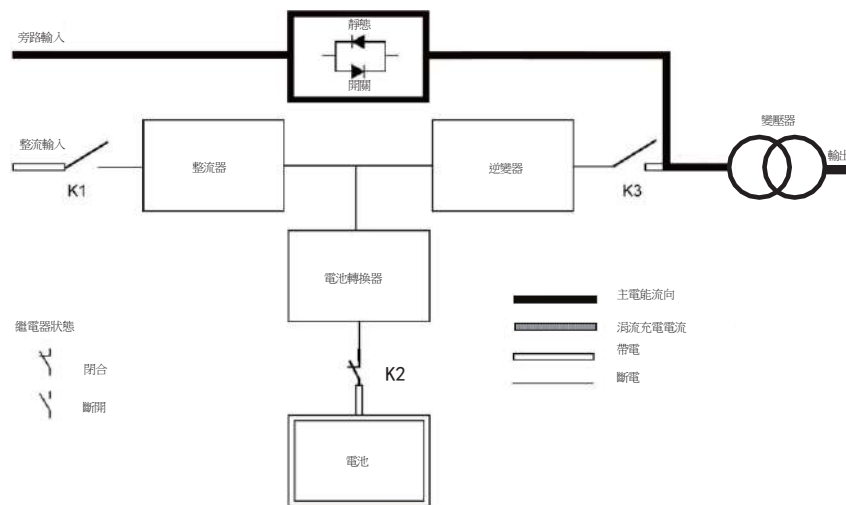


圖2-8: 旁路模式電能通過 UPS 的路徑

在旁路模式下，系統的三相交流輸出是由系統輸入直接提供。在該模式下，系統的輸出不能避免市電電壓或頻率的波動以及斷電情況。旁路模式提供部分濾波和瞬間保護但沒有功率因數校正和電池備電支持。

靜態旁路由固態可控矽整流器（SCR）靜態開關（SSW）組成。當逆變器不能支援負載時，靜態開關將會持續運行。靜態開關作為電子控制裝置，能夠立即開通，替代逆變器給負載供電以保證不斷電。

2.3 UPS 特性

伊頓 UPS 具備多種特性，以提供成本效益和一貫地可靠電源保護。本節對 UPS 標準特性提供簡明的概述。

2.3.1 高級電池管理 (ABM)

高級電池管理技術採用精密的採樣線路和三段式充電技術，可以延長 UPS 電池的使用壽命，同時優化充電時間。高級電池管理技術能夠防止大電流充電和逆變器紋波電流對電池造成的損耗。大電流充電會造成電池過熱以及損壞電池。

在充電模式下，UPS 將會給電池充電。充電過程持續到電池電壓上升到系統預先設定的浮充電壓。一旦電池達到浮充電壓水準，UPS 電池充電器進入浮充階段並對電池進行恒壓充電。

充電結束後將進入休眠模式，即在浮充 48 小時（可調節）後。在休眠模式下，電池充電器完全關閉。在大約 28 天（可調節）的休眠模式下，不會有任何充電電流對電池充電。在休眠模式下，UPS 持續監控電池電壓，如果有需要會重新對電池進行充電。

2.3.2 伊頓熱同步無線並機技術 (HotSync)

伊頓熱同步無線並機技術是在並機系統中消除單點故障的一種控制演算法，因此提高系統的可靠性。

93ETX 系列 UPS 外部並聯系統採用了熱同步技術。

在並聯系統中，甚至是沒有內部模組通訊，熱同步技術使得所有 UPS 能夠獨立運行。

在 UPS 並機系統，伊頓熱同步無線並機技術集成了數位信號處理和高級的控制演算法，從而實現自動負載均分和選擇性斷路。負載均分控制演算法根據輸出功率需求變化做持續動態調整，從而維持同步和負載平衡。每個都能遵從負載需求並且不會與其他發生衝突。伊頓熱同步無線並機技術能夠實現並聯冗餘和並聯擴容。

2.4 軟體和通訊特性

2.4.1 使用者介面

Mini-Slot 通訊卡槽 -93ETX 系列 UPS 帶有 2 個通訊卡槽用於安裝 mini-slot 通訊卡。Mini-slot 卡能夠快速安裝且支持熱插拔。其他資訊請參見第 5 章通訊介面。

2.4.2 電源管理軟體

智慧電源軟體透過網路監控和管理電源裝置。其他資訊參見第 5 章通訊介面。

2.5 電池系統

在停電、斷電以及其他電源故障時，電源系統提供緊急的短期備用電源保證安全操作。UPS 預設配置為使用 VRLA 電池。當需要安裝其他類型的電池或使用其他儲能方式，請諮詢伊頓客戶服務工程師。

Eaton 93ETX 系列 UPS 無內部電池僅支持外部電池。具體電池規格，請參見第 8 章技術參數。

2.6 基本系統組態

UPS 功率等級

UPS 具有直接並聯功能，只需用並機線（選購件）連接可以進行 2 至 4 台 UPS 並聯，來實現擴容或功率冗餘（N+X），如需附變壓器的並機，請諮詢本機服務代表。

UPS 內部配件

下表表示不同的標準和可選的 UPS 配件：

表2-1：標準和可選的UPS配件

| 配件 | 15kVA | 20kVA | 30kVA | 40kVA | 50/60K | 80kVA |
|-------------------------|-------|-------|-------|-------|--------|-------|
| 系統控制和監控智慧觸控式螢幕 | 標準 | 標準 | 標準 | 標準 | 標準 | 標準 |
| MINI 型通訊卡（詳情請參見 5.1 章節） | 可選 | 可選 | 可選 | 可選 | 可選 | 可選 |
| 維護旁路開關（MBS） | 標準 | 標準 | 標準 | 標準 | 標準 | 標準 |
| 整流輸入開關 | | | | | | |
| 逆變輸出開關 | | | | | | |
| 旁路開關 | | | | | | |
| 單輸入 | 標準 | 標準 | 標準 | 標準 | 標準 | 標準 |
| 雙輸入 | 標準 | 標準 | 標準 | 標準 | 標準 | 標準 |
| 防塵網 | 標準 | 標準 | 標準 | 標準 | 標準 | 標準 |

其他配件和附件包括不同的軟體、通訊選項、外部開關以及配電裝置。

第 3 章 UPS 安裝計畫

按照以下基本順序安裝 UPS：

1. 為 UPS 系統制訂一個安裝計畫（[第 3 章](#)）；
2. 為 UPS 系統選定安裝地點（[第 3 章](#)）；
3. 檢查並打開 UPS 機櫃（[第 4 章](#)）；
4. 卸下並安裝 UPS 機櫃，並為系統鋪設好電路（[第 4 章](#)）；
5. 如需要，安裝附件或備選件（[第 4 章](#)）；
6. 填寫安裝清單（[第 10 章](#)安裝檢查清單）；
7. 由伊頓客戶服務工程師進行初步的操作檢查和開機。



說明

開機調試必須由伊頓客戶服務工程師執行，否則[第 9 章](#)中的保固條款將失效。提供這項服務是 UPS 銷售合同的一部分。請事先聯繫（通常要求提前三個工作日通知），以便預約理想的開機日期。



注意

安裝時，請務必確保不會有線路輸入電源與 UPS 連接。



警告

- 只能由有資格的技术人員遵照適用的安全標準來執行安裝。
- 該 UPS 設備不適用於 IT 配電系統。

3.1 制訂安裝計畫

在安裝 UPS 系統之前，閱讀並理解此手冊中與所要安裝的系統配套的資訊。用[3.2](#)章節中的相關過程和插圖以及[第 4 章](#)的內容，制訂合理的安裝計畫。

3.2 現場準備

為了讓 UPS 系統獲得最高的工作效率，安裝地點應該滿足此手冊中所述的環境參數。操作環境必須滿足重量、清潔程度和特定的環境要求。

3.2.1 環境和安裝注意事項

風道入口環境需滿足以下條件：

- 濕度計的乾球溫度與濕球溫度應當總是保持至少 1 攝氏度 (1.8 華氏度) 的差別，以實現無凝露環境。
- 根據ASHRAE90.1-2013 的要求最大的環境溫度變化率應當低於 3 華氏度/5 分鐘 (36 華氏度/小時)。

UPS 運行環境條件的注意事項：

某些資料中心的製冷方式會使 UPS 機房和 / 或資料中心內部溫度和相對濕度不均勻。這種製冷方式可能引發兩個方面問題：

其一，引發機房內的小氣候。這種小氣候會導致機房內溫度和 / 或相對濕度的持續差異，比如無論實際溫度為多少，機房內一側的溫度總是低於另一側。

其二，引發溫度和 / 或相對濕度變化率的問題，這種問題發生在製冷系統的工作轉換過程中時。

以上其中任意一個問題都能在 UPS 放置區域產生不良的小氣候。如果這種小氣候超出了本公司運行規格，UPS 的穩定性隨著時間的推移會有所下降。同時，這些種極端的環境也會影響暴露於其中的伺服器的穩定性。

UPS 系統的安裝必須遵循以下指導：

- 此系統必須安裝在適合電腦和電子設備的水平地板上。
- 在乾淨、平穩的環境中安裝 UPS，避開震動、灰塵、高濕、可燃性氣體、可燃性液體或腐蝕性物質環境。
- UPS 正常工作時的環境要求在 0-40°C 之間。
- 電池組建議在 +20 ~ +25°C 的環境溫度之間使用。
- 最大相對濕度：95%，非冷凝。
- 此系統必須安裝在有適宜的溫度和濕度的室內，遠離污染物。
- UPS 正常工作時的海拔要求為 1500 米 (4921 英尺) 以下，如果客戶使用在 2000 米 (6562 英尺) 以上，請撥打 Eaton 服務專線獲取更多的資訊。

若不按此指導操作，保固條款將失效。

UPS 設備的操作環境必須滿足表 3-1 中的重量和尺寸要求。

表3-1：尺寸與重量（含ISO變壓器）

| 描述 | 附包裝尺寸 (W*H*D) | 尺寸 (W*H*D) | 毛重 | 淨重 |
|----------|------------------|-----------------|-------|-------|
| 20kVA | 800*1359*860 mm | 500*1200*700 mm | 255kg | 225kg |
| 30kVA | 800*1359*860 mm | 500*1200*700 mm | 280kg | 250kg |
| 40kVA | 800*1359*860 mm | 500*1200*700 mm | 310kg | 285kg |
| 50/60kVA | 900*1565*1020 mm | 600*1400*770 mm | 430kg | 395kg |
| 80kVA | 900*1565*1020 mm | 600*1400*770 mm | 580kg | 545kg |

UPS 機櫃採用強制冷卻來管理內部器件的溫度，所以需要預留足夠的空間，才能確保足夠的氣流循環。散熱方式請參考圖 3-1；具體的預留空間見表 3-2。

表3-2：UPS 機櫃的最小預留空間

| 描述 | 預留空間 |
|----------|--------|
| 機櫃的上方 D1 | 300 mm |
| 機櫃的前方 D2 | 900 mm |
| 機櫃的後部 D3 | 600 mm |

* 走線可能需要更多的空間；

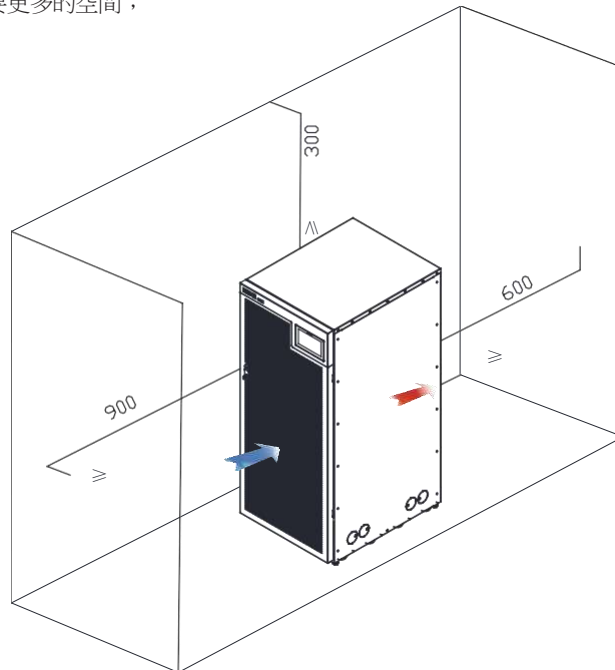


圖3-1：UPS 機櫃預留空間

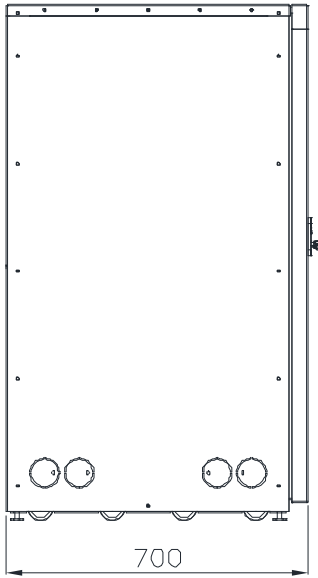
環境溫度維持在 20~25°C，UPS 和電池能夠獲得更長的壽命。

UPS 正常工作時的環境溫度要求在 0-40°C 之間。如果工作在 40°C 以上的環境裡，需要降額使用。

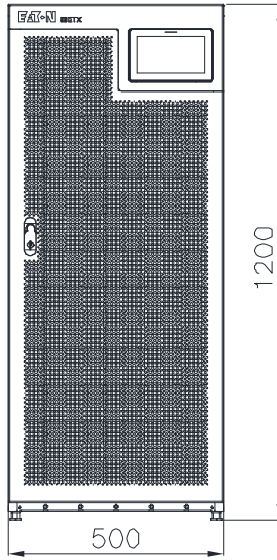
UPS 工作時的最高環境溫度要求不超過 50°C 並且需避免在高溫、高濕的環境。



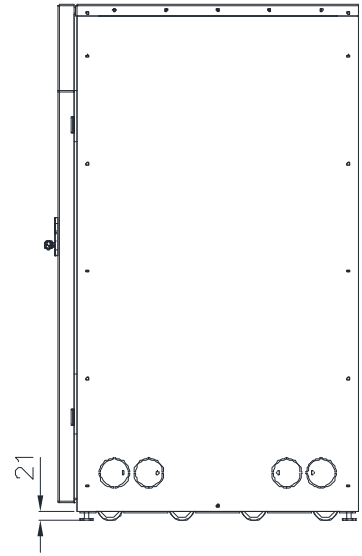
頂視圖



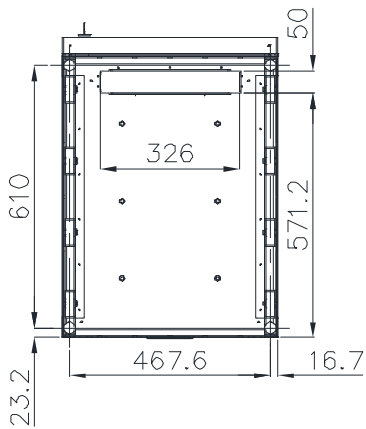
右視圖



前視圖



左視圖



底視圖

圖3-2: UPS 尺寸 (20-40k)

單位：mm

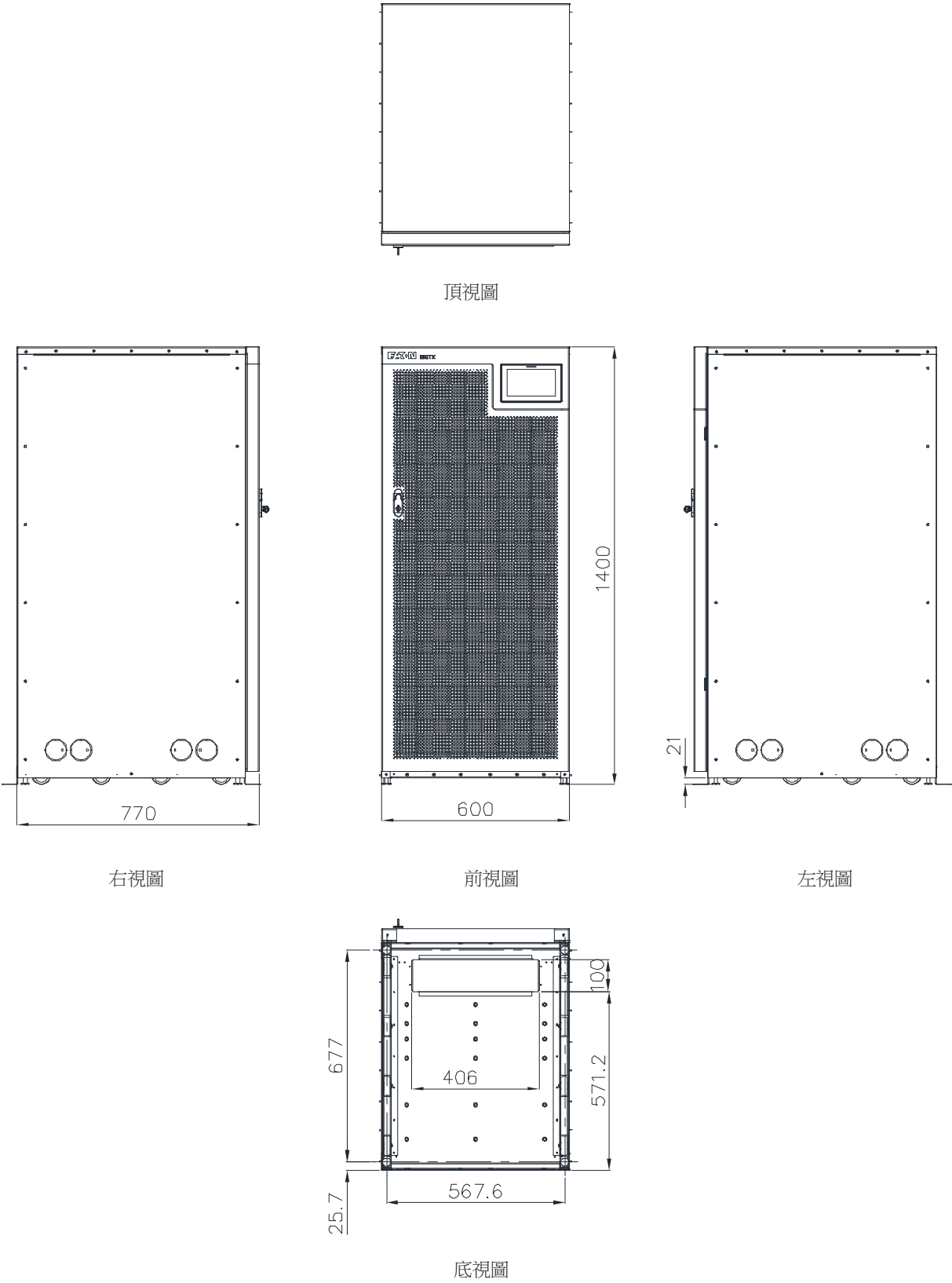


圖3-3: UPS 尺寸 (60-80k)

單位 : mm

3.2.2 UPS系統電源配線準備



注意

安裝維護旁路，必須採用帶有上游斷路器保護的雙路饋電輸入或帶有兩個上游斷路器保護的單饋電輸入。其中一個對於 UPS/ 整流輸入斷路器（如果有安裝），另一個對於維護旁路輸入。切勿針對 UPS/ 整流輸入和維護旁路僅採用單饋電及單斷路器保護一起供電。若 UPS 為單饋電接線及維護旁路上安裝有旁路輸入斷路器，允許維護旁路單饋電輸入，同時給 UPS 及旁路供電。

關於外部接線的實際配置，請參考國家或地方電氣規範。

- 為了以後擴容，應在 UPS 滿載下降額選取電源線和外部過流保護開關。
- 外部接線所需的材料和操作應由指定的人員提供和執行。
- 外部接線須採用能承受 105°C 溫度的銅線，請參見表 3-3 查找合適資訊，電線規格由所用斷路器決定。
- 若導線運行在高於 40°C 的環境溫度下，需要換用更高耐溫等級的電線或更粗的電線。
- 配線的規格是由 105°C 溫度的銅線定義。

4 線系統：

- 輸入採用三根火線和 N 線，再加上接地導線（保護接地導體）。為使設備正常運行，相線必須是對稱接地（從 Y 型 / 星型電源）。
- 支援需要帶 N 線的負載。
- 對於前端配置又 4-Pole ATS 或發電機的 UPS 系統，請確保上游 ATS 切換不會導致輸入 N 線中斷連接或者輸入 N 線連接中斷恢復應在電池低壓告警之前。
- 斷開中線，則應當同時斷開所有的相線。

線徑的選擇需考慮到未來升級。

表3-3：UPS 額定輸入/輸出及外部接線要求（單位：mm²）

| 額定容量 | 橫斷面積 參考IEC 62040-1 | 單位 | | | | | | |
|--|--------------------------|-----------------|------------|----------|----------|----------|----------|----------|
| | | kVA kW | 15 13.5 | 20 18 | 30 27 | 40 36 | 60 54 | 80 72 |
| 輸入/輸出電壓 | | Volts | 400/400 | 400/400 | 400/400 | 400/400 | 400/400 | 400/400 |
| 到UPS整流器的AC輸入 滿負載電流加電池充電電流 (3) 相 | | Amps | 28 | 37 | 54 | 72 | 109 | 143 |
| 導線的規格(A,B,C相) (數量及其線徑) | min | mm ² | 1×6 | 1×6 | 1×10 | 1×13 | 1×20 | 1×25 |
| | max | mm ² | 1×10 | 1×10 | 1×16 | 1×16 | 1×50 | 1×50 |
| 到UPS旁路的AC輸入 (5線，雙輸入) 滿負載電流 (3)相 | | Amps | 24 | 31 | 46 | 61 | 92 | 121 |
| 導線的規格(A,B,C相) (數量及其線徑) | min | mm ² | 1×6 | 1×6 | 1×10 | 1×13 | 1×20 | 1×25 |
| | max | mm ² | 1×10 | 1×10 | 1×16 | 1×16 | 1×50 | 1×50 |
| 從電池到UPS的DC輸入 (1)根正極線，(1)根負極線， (1)根N線 | | Total Amps | 50 | 66 | 99 | 132 | 197 | 263 |
| 導線的規格（正極、負極和N） (數量及其線徑) | min | mm ² | 1×13 | 1×13 | 1×20 | 1×25 | 1×35 | 1×50 |
| | max | mm ² | 1×16 | 1×16 | 1×50 | 1×50 | 1×70 | 1×70 |
| 到關鍵負載的AC輸出（5線） 滿載電流 (3)相 | | Amps | 22 | 29 | 44 | 58 | 87 | 116 |
| 導線的規格(A,B,C相) (數量及其線徑) | min | mm ² | 1×6 | 1×6 | 1×10 | 1×13 | 1×20 | 1×25 |
| | max | mm ² | 1×10 | 1×10 | 1×16 | 1×16 | 1×50 | 1×50 |
| 接地 | | | 1.0倍 | | | | | |
| 中線(N) (市電/負載) (非線性負載) | | | 1.7倍 | | | | | |



注意

- 以上線徑要求只是伊頓建議，非強制標準。實際配置需要根據所在地區的標準和用戶實際情況而定。
- 該產品不提供外部過流保護器，但須符合當地法規要求。如果需安裝輸入 / 輸出斷開裝置，斷開裝置由客戶提供。
- 所配置電池節數必須為偶數節，並附有電池 N 線。

電源線端子資訊見下表：

表3-4：20-20K 接線端子和扭力要求

| 端子功能 | 端子 | 功能 | 接線端子尺寸 | 緊固扭力 Nm (lb in) | 螺栓規格 |
|----------|-----|--------|--------|--------------------|-----------------------------|
| 市電輸入到整流 | L1 | A 相 | M6 | 5 (44) | 28.26 mm ² ((M6) |
| | L2 | B 相 | M6 | 5 (44) | 28.26 mm ² ((M6) |
| | L3 | C 相 | M6 | 5 (44) | 28.26 mm ² ((M6) |
| | N | N | M6 | 5 (44) | 28.26 mm ² ((M6) |
| 市電輸入到旁路 | L1, | A 相 | M6 | 5 (44) | 28.26 mm ² ((M6) |
| | L2 | B 相 | M6 | 5 (44) | 28.26 mm ² ((M6) |
| | L3 | C 相 | M6 | 5 (44) | 28.26 mm ² ((M6) |
| | N | N | M6 | 5 (44) | 28.26 mm ² ((M6) |
| UPS輸出到負載 | L1 | A 相 | M6 | 5 (44) | 28.26 mm ² ((M6) |
| | L2 | B 相 | M6 | 5 (44) | 28.26 mm ² ((M6) |
| | L3 | C 相 | M6 | 5 (44) | 28.26 mm ² ((M6) |
| | N | N | M6 | 5 (44) | 28.26 mm ² ((M6) |
| 直流輸入 | + | 電池 (+) | M6 | 5 (44) | 28.26 mm ² ((M6) |
| | - | 電池 (-) | M6 | 5 (44) | 28.26 mm ² ((M6) |
| | N | 電池 (N) | M6 | 5 (44) | 28.26 mm ² ((M6) |
| 用戶接地 | 接地 | | M8 | 15 (133) | 60 mm ² (M8) |

表3-5：30-40K 接線端子和扭力要求

| 端子功能 | 端子 | 功能 | 接線端子尺寸 | 緊固扭力 Nm (lb in) | 螺栓規格 |
|----------|-----|--------|--------|--------------------|-----------------------------|
| 市電輸入到整流 | L1 | A 相 | M6 | 5 (44) | 28.26 mm ² ((M6) |
| | L2 | B 相 | M6 | 5 (44) | 28.26 mm ² ((M6) |
| | L3 | C 相 | M6 | 5 (44) | 28.26 mm ² ((M6) |
| | N | N | M6 | 5 (44) | 28.26 mm ² ((M6) |
| 市電輸入到旁路 | L1, | A 相 | M6 | 5 (44) | 28.26 mm ² ((M6) |
| | L2 | B 相 | M6 | 5 (44) | 28.26 mm ² ((M6) |
| | L3 | C 相 | M6 | 5 (44) | 28.26 mm ² ((M6) |
| | N | N | M6 | 5 (44) | 28.26 mm ² ((M6) |
| UPS輸出到負載 | L1 | A 相 | M6 | 5 (44) | 28.26 mm ² ((M6) |
| | L2 | B 相 | M6 | 5 (44) | 28.26 mm ² ((M6) |
| | L3 | C 相 | M6 | 5 (44) | 28.26 mm ² ((M6) |
| | N | N | M6 | 5 (44) | 28.26 mm ² ((M6) |
| 直流輸入 | + | 電池 (+) | M6 | 5 (44) | 28.26 mm ² ((M6) |
| | - | 電池 (-) | M6 | 5 (44) | 28.26 mm ² ((M6) |
| | N | 電池 (N) | M6 | 5 (44) | 28.26 mm ² ((M6) |
| 用戶接地 | 接地 | | M8 | 15 (133) | 60 mm ² (M8) |

表3-6：60-80K 接線端子和扭力要求

| 端子功能 | 端子 | 功能 | 接線端子尺寸 | 緊固扭力 Nm (lb in) | 螺栓規格 |
|----------|-----|--------|--------|--------------------|---------------------------|
| 市電輸入到整流 | L1 | A 相 | M8 | 15 (133) | 60 mm ² (M8) |
| | L2 | B 相 | M8 | 15 (133) | 60 mm ² (M8) |
| | L3 | C 相 | M8 | 15 (133) | 60 mm ² (M8) |
| | N | N | M8 | 15 (133) | 60 mm ² (M8) |
| 市電輸入到旁路 | L1, | A 相 | M8 | 15 (133) | 60 mm ² (M8) |
| | L2 | B 相 | M8 | 15 (133) | 60 mm ² (M8) |
| | L3 | C 相 | M8 | 15 (133) | 60 mm ² (M8) |
| | N | N | M8 | 15 (133) | 60 mm ² (M8) |
| UPS輸出到負載 | L1 | A 相 | M8 | 15 (133) | 60 mm ² (M8) |
| | L2 | B 相 | M8 | 15 (133) | 60 mm ² (M8) |
| | L3 | C 相 | M8 | 15 (133) | 60 mm ² (M8) |
| | N | N | M8 | 15 (133) | 60 mm ² (M8) |
| 直流輸入 | + | 電池 (+) | M10 | 28 (248) | 150 mm ² (M10) |
| | - | 電池 (-) | M10 | 28 (248) | 150 mm ² (M10) |
| | N | 電池 (N) | M10 | 28 (248) | 150 mm ² (M10) |
| 用戶接地 | 接地 | | M8 | 15 (133) | 60 mm ² (M8) |



注意

該產品不提供外部過流保護器，但須符合當地法規要求。如果需安裝輸入 / 輸出斷開裝置，斷開裝置由客戶提供。



注意

為避免火災危險，斷路器的額定電流不小於表 3-3 的規格值。

UPS 帶不平衡負載時，應根據平衡負載下滿載電流降額使用。要求不平衡負載下線電流 \leq 平衡負載滿載線電流的 50%。參見表 3-3。

對於 AC 輸入到旁路的電源保護應符合浪湧或啟動電流的載荷特性。旁路和輸出的過流保護開關由客戶提供。

UPS 接線圖見 2.1 章 UPS 系統內部結構。

3.2.3 UPS 系統介面配線準備

外部控制通訊線應連接在 UPS 內部的使用者介面端子臺上。



警告

不要直接將接觸器回饋觸點連接到與主電源相關的電路中，回饋觸點應加強絕緣。

在計畫和準備進行安裝時，請仔細閱讀並理解下面的事項：

- 所有介面配線都由客戶提供。
- 對 Mini-slot 端子進行內部介面配線時，需要通過 Mini-slot 通訊槽來走線。
- 在外部告警輸入和幹節點之間，所有的信號輸入或遠端特性需求，都需要一個額定值為 24VDC，最小 20mA 的隔離常開接觸器或開關。所有的控制線，繼電器和開關接觸器都由客戶提供。對於每一個外部告警輸入和幹節點都需要使用雙絞線。
- 輸入端的外部告警命名可以通過程式自訂並顯示。
- 使用 Mini-Slot 卡的區域網路和電話入口必須由設備計畫者或客戶自行提供。
- 遠端 EPO 功能打開 UPS 機櫃中的所有接觸器，並將電源與關鍵負載隔離開。當地電氣規範可能要求安裝 UPS 的跳開上游保護裝置。
- 遠端 EPO 開關必須為獨立開關，不可與其它電路連接。
- 如果使用常閉（NC）遠端 EPO，需要在 CN10 的 Pin3 和 Pin4 連接跳線。
- 遠端 EPO 的線徑應該在 0.75~2.5 mm² 之間。
- 遠端 EPO 和 UPS 之間的距離不能超過 150 米。
- 外部告警繼電器需要連接一個額定電流為 5A，額定電壓為 30VAC（RMS）和 30VDC 的開關。
- 外部告警繼電器線徑最小為 0.75 mm²。

第 4 章 UPS 系統安裝

本章節介紹了 UPS 機械安裝與線纜安裝的相關操作，連接 UPS 和市電的線纜需要客戶自行提供。

UPS 的安裝檢查及初次開機必須由伊頓客戶服務工程師執行；電池櫃可由設備製造商或代理商有資格的服務人員來執行。

4.1 預備安裝資訊



警告

如不按操作手冊執行，有可能會造成人身傷害或導致 UPS 和負載設備的損壞。

安裝 UPS 系統時請參閱以下內容：

閱讀第 3 章，瞭解機櫃尺寸、裝置重量、配線以及端子資料和安裝事項。

安裝期間機櫃的傾斜程度不得大於 $\pm 10^\circ$

若需要通風用的穿孔地面磚，請將其放在 UPS 前面。

4.2 UPS 機櫃的檢查和開箱

為了讓 UPS 系統獲得最高的工作效率，安裝地點應該滿足此手冊中所述的環境參數。操作環境必須滿足重量、清潔程度和特定的環境要求。



警告

- UPS 機櫃很重，重量參見表 3-1，如果不遵循裝卸說明，機櫃可能會翻倒，造成嚴重的人身傷害。
- 在卸載機櫃時請勿站在棧板前面。如果不嚴格遵循卸載說明，機櫃有可能造成嚴重的人身傷害。

1. 仔細檢查外部包裝，查看搬運過程中有無明顯損傷。檢查設備外箱上的“傾斜指示標籤”是否正常。如發現損壞請勿繼續操作，請通知承運商或經銷商；



說明

在進行下面步驟之前，請確保貨叉或貨盤起重器能夠承受機櫃的重量（機櫃重量請參見表 3-1）。

2. 請用貨叉或貨盤起重器，將附有棧板的 UPS 設備移到安裝地點或離安裝地點盡可能近的地方；

**注意**

機櫃的傾斜不能超過 10 度（偏離豎直線），否則機櫃有可能翻倒。

3. 使用工具打開紙箱或木箱，移除緩衝材和防潮袋（[圖 4-1](#)）；
4. 先把斜坡板鋪到機器前方；對準斜坡板與棧板之間孔位；然後拆除機器底部固定支架；最後機器沿著斜坡板慢慢滑到地面（[圖 4-1](#)）；

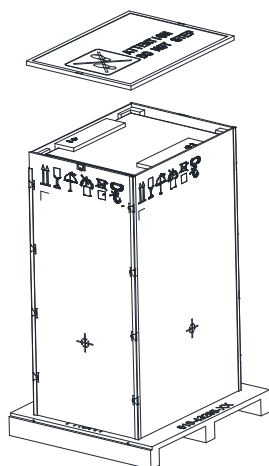
**注意**

當抬起或移動機櫃時，為防止對底座中的佈線通道和佈線造成損壞，請確保叉車貨叉處於水準位置插入到叉車插槽中，勿將貨叉向上傾斜，叉車必須穿過整個棧板底座。

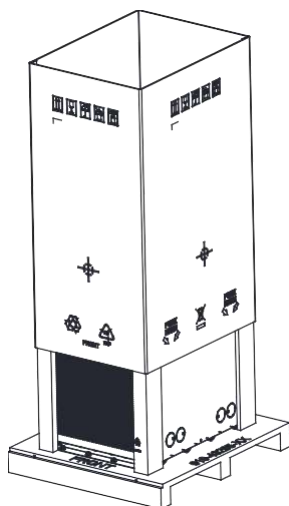
5. 通過底部腳輪，把機器移到安裝位置；
6. 進行 UPS 系統安裝，UPS 請執行 [4.3](#) 節。

**說明**

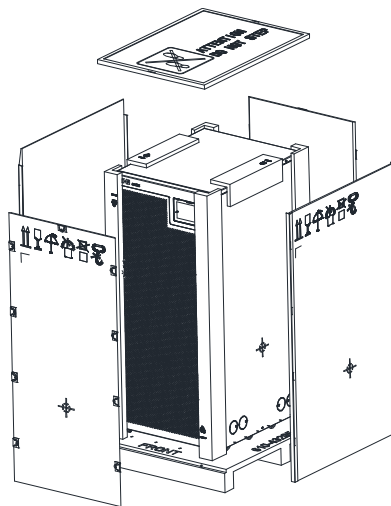
在安裝等待期間，未打開包裝的機櫃要注意防潮、防塵以及其它污染物。由儲存或保護不當引起的 UPS 損壞不在保固之列。



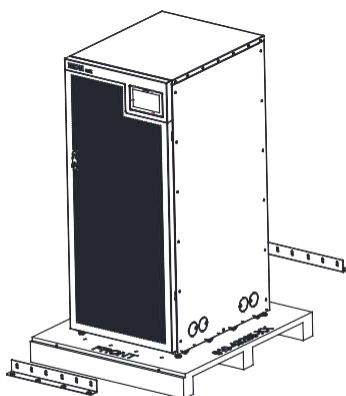
1. 移除紙箱頂蓋和斜坡板



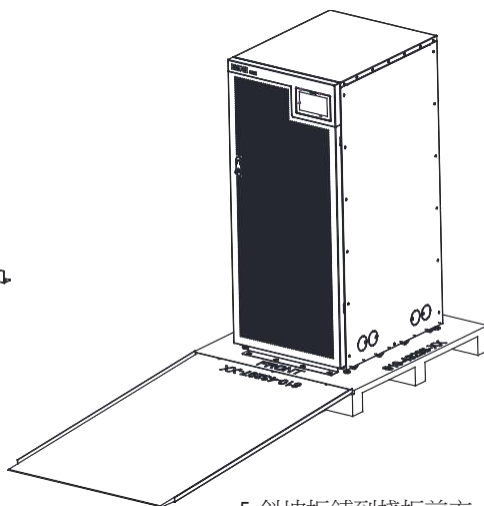
2. 向上移除紙箱



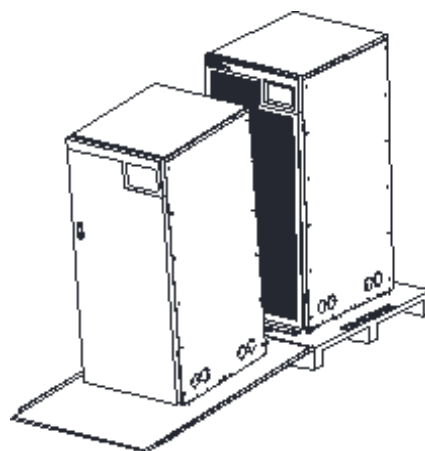
3. 移除緩衝材



4. 拆除機器與底部
固定支架的螺絲



5. 斜坡板鋪到棧板前方



6. 拆除機器底部固定支架；最後
機器沿著斜坡板慢慢滑到地面

圖4-1: 20-80k拆箱圖

4.3 系統安裝

4.3.1 機械安裝



說明

- 在進行下面步驟之前，請確保貨叉或貨盤起重器能夠承受機櫃的重量（機櫃重量請參見表 3-1）。
 - 機櫃的傾斜不能超過 10 度（偏離豎直線），否則機櫃有可能翻倒。
-

4.3.2 線纜安裝

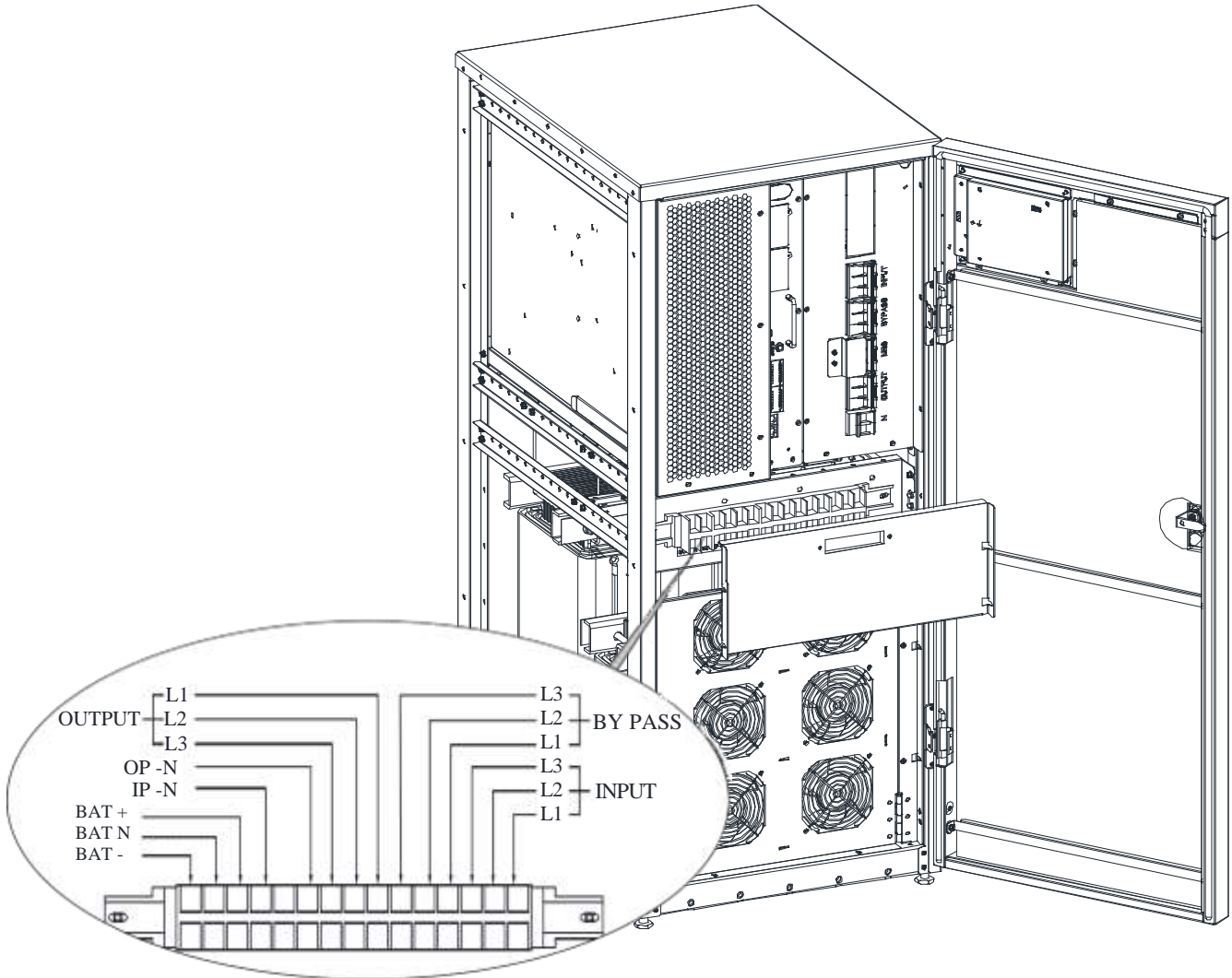
電源和控制信號線能夠從機櫃的底部進線，方便現場安裝。詳細位置指示請參見圖 4-2，圖 4-3。

1. 20-80k 先開鎖，打開前門，拆掉端子台蓋板（圖 4-2），（圖 4-3）；
 - 線纜從接線口進入，接到對應的端子台，按照表 3-4/表 3-5/表 3-6 扭矩鎖緊；地線鎖在接地螺釘上（20-40k 請參考圖 4-2），（60-80K 請參考圖 4-3）。
 2. 整理線纜，將線纜用紮線帶固定到側邊綁線孔，然後調整位置，並鎖緊（預防雜物進入）；
 3. 清理機櫃內的殘留雜物，裝上端子台蓋板，關門上鎖；
 4. 安裝並機系統，請對所有的 UPS 重複以上步驟；
 5. 執行第 4.4 節安裝外部電池櫃。
-



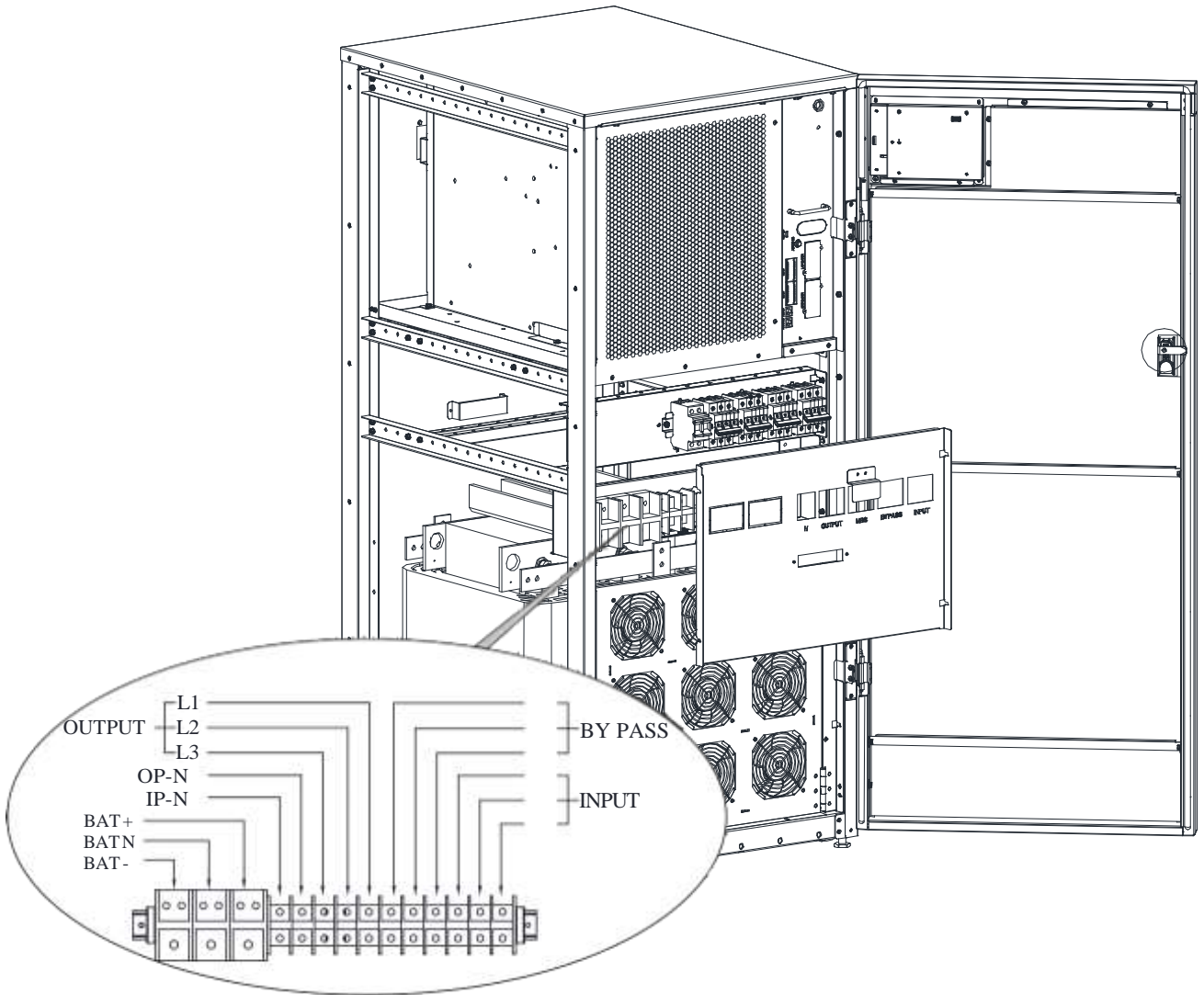
警告

客戶進線注意整理線材至機櫃兩側，避免遮擋後方熱出風區域。



接線端子台詳圖

圖4-2: 蓋板和連接端子位置 (20-40k)



接線端子台詳圖

圖4-3: 蓋板和連接端子位置 (60-80k)

4.4 安裝外部電池櫃

連接外部電池之前，請閱讀電池櫃上的注意標籤和警告標籤。



- 在發生故障的情況下，電池櫃底盤或電池櫃架可能會帶電！
- 安裝電池前，請確保電池節數與充電電壓的設置是匹配的。
- 電池後備時間不要超過 1 小時，如果配製電池後備時間超過 1 小時，請諮詢專業人員。



UPS 設備中常用的電池類型是閥控電池。閥控電池是密封式的。閥控式電池釋放出來的氣體小於富液型電池，但在規劃電池安裝時必須預留足夠通風和散熱的空間。閥控式電池並非是完全免維護，必須保持清潔和定期檢查以確保它們是緊密連接的，並且沒有腐蝕的跡象。在運輸和儲存過程中電池電量有所流失是不可避免的，在試圖進行電池自檢之前，確保電池已經充滿電，這可能需要持續幾個小時。經過多次充放電迴圈後，電池性能會有所提高。

UPS 預設電池配置為 12 VDC VRLA 電池。如果需要使用其他電池類型，請聯繫你的伊頓代理商。

連接電池櫃步驟如下：

1. 關閉 UPS；
2. 檢查所有外置電池斷路器是處於斷開狀態；
3. 先連接保護接地線；
4. 根據電纜的導線截面積和保護裝置適用的電纜尺寸連接電池箱的正極和負極；
5. 請參見由廠商提供的電池櫃說明。



務必確保電池正負極正確連接！

4.5 UPS 並機系統接線

UPS 每台單機額定功率必須相同，各台機器靜態旁路額定功率需一致。超過標準數量請聯繫伊頓解決方案團隊進行配電方案設計。

並機系統提供並聯或冗餘功能。此系統能比單台 UPS 提供更大容量，並能依據客戶需求進行靈活配置。

1 台 UPS 因故障或維護不能工作時，其餘並聯冗餘的 UPS 將繼續為關鍵負載提供不斷電供應系統。

在各個 UPS 之間，為實際系統的監測和模組的控制，各 UPS 之間需要通訊。系統層的通訊與控制是由 CAN (Controller Area Network) 來實現。每台 UPS 的 Pull-Chain 信號作為硬體冗餘，在 CAN 通訊丟失時仍能進行旁路的同步控制。

**警告**

對於單獨 UPS 的內部 MBS 開關勿用於並聯系統。

4.5.1 電源線概述

線纜、外部保險絲的規格和安裝方法，請參見 3.2.2 章 UPS 系統電源配線準備。

整流輸入

整流輸入是作為電源連接至 UPS 的整流端，所有的 UPS 系統輸入確保都來同一個配電電源。

旁路輸入

此輸入連接至 UPS 旁路，所有的 UPS 系統旁路確保都來同一個配電電源。對每台 UPS 至配電電源的連接線，最短的必須大於最長的 95%。

輸出

所有 UPS 的 N 線必須連接。對每台 UPS 至配電電源的連接線，最短的必須大於最長的 95%。這些測量是從 UPS 的輸出節點開始計算。

雙電源

整流輸入和旁路輸入是獨立的電源。此電源必須共用一根 N 線。

電池連接

伊頓 93ETX UPS 20-80k 在並機使用時，機櫃之間支持共電池以及獨立電池的配置。

安裝並機系統及並機信號線與 CAN 通訊控制線



注意

- 並機系統中，每台 UPS 的輸入（電網 / 旁路）到交流配電電源公共點的電力線長度及輸出到負載公共點的電力線長度應該一致，其長度應符合下面規則以保證每台 UPS 的輸入以及輸出阻抗匹配，阻抗誤差在 $\pm 10\%$ 以內。這是為了達到並聯 UPS 的均流效果。

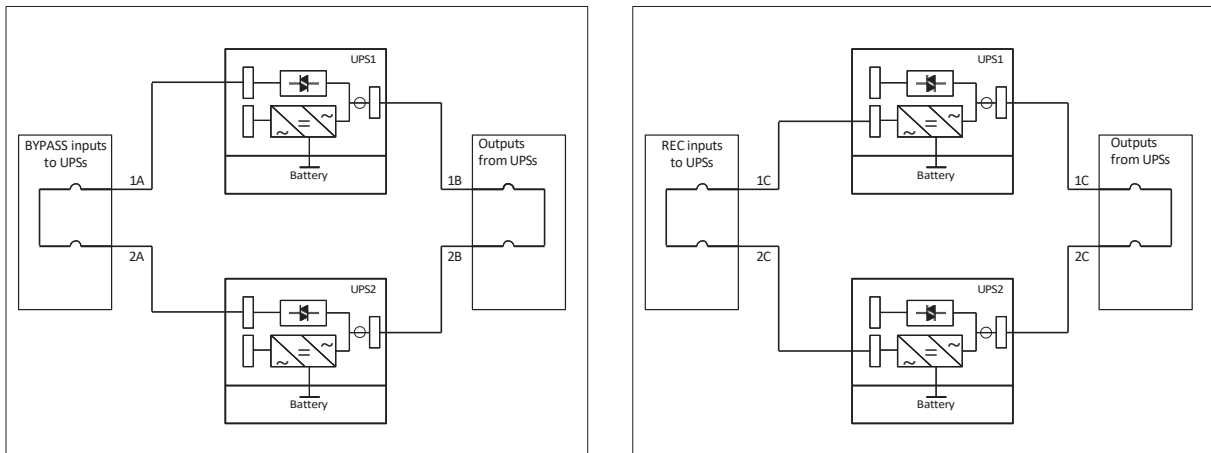
電力線長度 $1A=2A$

$1B=2B$

$1C=2C$

接線示意見圖 4-4

- 確保並機系統中每台 UPS 的靜態旁路輸入是同一公共點，如同一個外部旁路斷路器。如果並機系統中各台 UPS 的整流輸入是獨立的配電電源，請諮詢伊頓工程師確保配電相容性。



並機系統接線圖

圖4-4: 並機UPS系統的原理圖

4.5.2 控制信號概述

外部並機需要兩個控制信號（外部 CAN Network, 旁路 Pull-Chain）。兩組控制信號作用是故障容差，如其中一個斷開，系統仍能正常工作並報警。

93ETX 20-80k 機器將 ECAN 和 Pull-Chain 信號集成在 RJ45 端子中，通過 PAR IN/PAR OUT 埠進行並機信號連接。見圖 5-1

外部 CAN (ECAN)

外部 CAN 的作用是實現並機 UPS 系統之間的通訊。當 CAN 故障時，系統仍能實際均流並保護負載。

旁路 Pull-Chain

旁路 Pull-Chain 是一個開路輸出信號，當並機系統中任何 UPS 轉旁路時，此信號拉低。當外部 CAN（ECAN）不工作，pull-Chain 被拉低，如 UPS 是在線狀態，UPS 將被鎖定並轉至旁路模式。在此故障模式下，客服人員可手動短接此信號強制轉至旁路。

信號輸入動作

每台 UPS 自帶 3 組信號輸入，這些輸入信號可以配置功能項。這些功能項會影響到所有系統中的 UPS。

並機 EPO 開關的配線

每一個並機單元推薦使用獨立的 EPO 電路。

4.5.3 並機控制配線的安裝

1. 在安裝中，請按照用戶手冊執行，並遵照所有的安全操作；
2. 外部並機控制信號通過兩個 RJ45 埠 PAR IN/PAR OUT 進行連接，通訊介面位置見圖 5-1，接線示意見圖 4-5

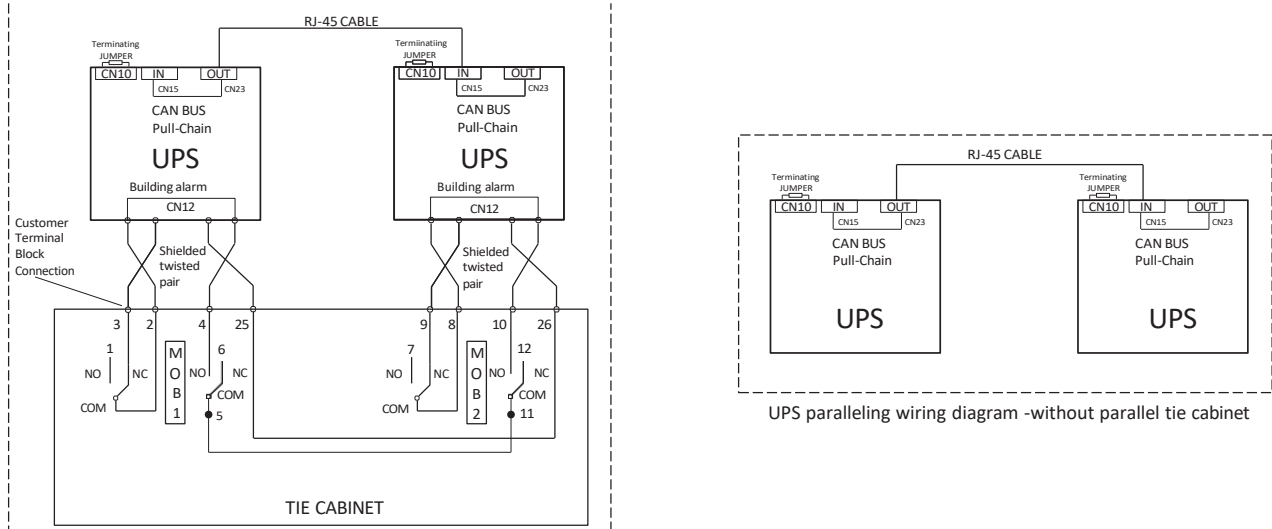


圖4-5: 並機UPS系統配線示意圖



注意

- 圖示為並機配線接線示意圖，不是實物放置規劃。UPS 能夠按任何物理順序放置。
- UPS 之間的並機連接線纜需要附遮罩的雙絞線。

第 5 章 通訊介面

本節描述了 93ETX UPS 的通訊特性。

本 UPS 具有如下通訊介面：

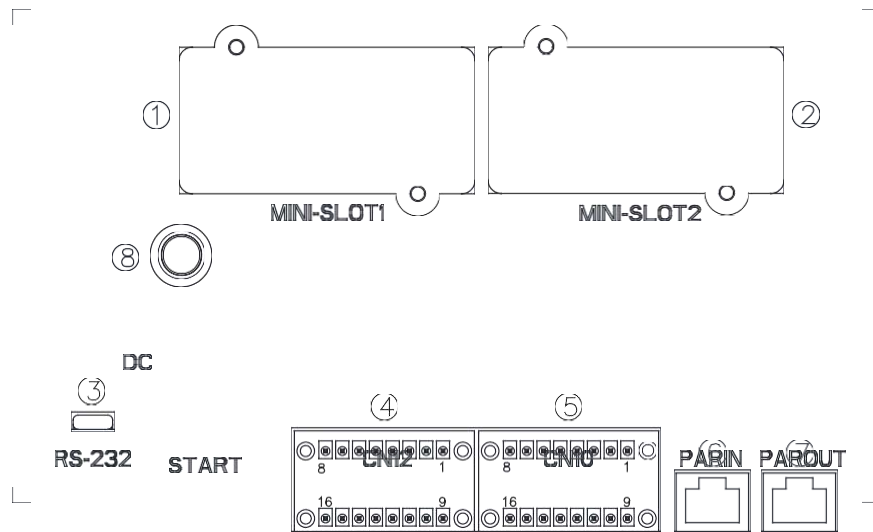


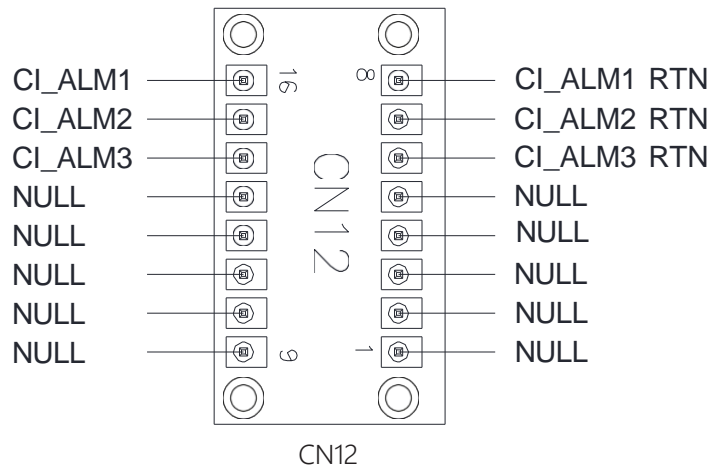
圖5-1: 通訊介面

- | | | | |
|---------------|------------|---------------|-------------|
| 1. 通訊擴充槽 1 | 2. 通訊擴充槽 2 | 3. RS-232 服務埠 | 4. 乾接點輸入 |
| 5. 緊急關機 (EPO) | 6. 外部並機埠 | 7. 外部並機埠 | 8. DC START |
- 和 CAN 終端

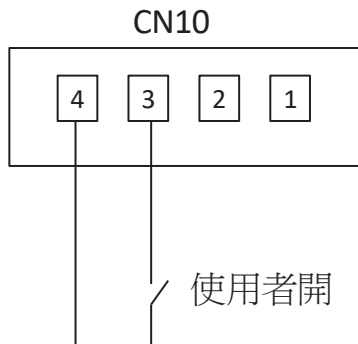
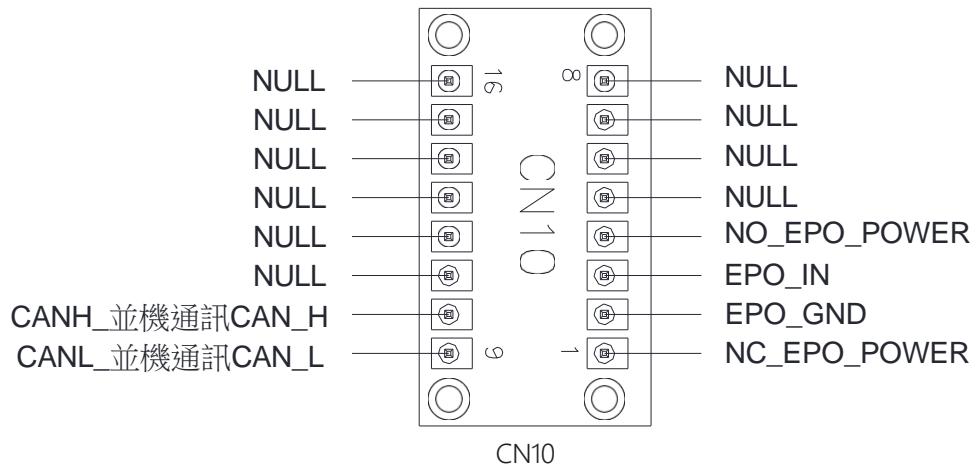
① ②：通訊擴充槽，UPS 帶有 2 個通訊擴充槽 (MINI-SLOT1/MINI-SLOT2) 用於安裝 MINI 型通訊卡。MINI 型通訊卡能夠快速安裝且支持熱插拔。參考 5.1 章節獲取 MINI 通訊卡資訊。

③：RS-232 服務埠，RS-232 埠僅限授權客服代表專用；

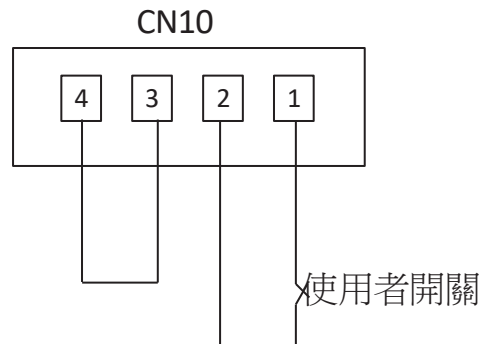
④：CN12，此標準功能可用於將外部告警信號連接到 UPS 相應的介面端子上，如煙霧告警器或過熱告警信號。外部告警裝置與 UPS 介面端子之間應該用一對雙絞線連接。對於外部告警信號的配置，需聯繫伊頓服務進行諮詢。



⑤：CN10，端子CN10 包含並機 CAN 通訊信號，REPO 信號



PIN 4-3 閉合時，UPS執行緊急關機；
PIN 2-1 開置



PIN 4-3 用短線連接一直處於連接狀態；
PIN 2-1 打開時，UPS執行緊急關機

⑥ ⑦：PARIN/PAROUT，外部並機埠，參考 4.5.3 章節。

⑧：DC START，輕觸按鈕再鬆開，電池輔助電源啟動（電池要正確安裝）。

5.1 MINI型通訊卡

伊頓 93ETX 有兩個 Mini-slot 通訊擴充槽。與該 UPS 匹配的 Mini-slot 卡如下：

- 三代千兆網路卡

三代千兆網路卡 (NETWORK-M3) 是最新一代 UPS 與乙太網和網際網路相連接的網路通訊卡，新一代網路通訊卡增加了多個新型功能，大大提高的網路通訊速率與更安全可靠的保密協議可為獲得授權的專業 IT 人員提供緊急關機與資料，對應通訊協定可在卡網頁介面下載，及詳細卡片使用參考卡片使用手冊。



圖5-2: 千兆網路卡

- 標準 AS400/RS232 卡

此卡透過一個 DB9 介面提供 2 種類型介面。乾接點模式透過乾接點繼電器觸點以簡單的方式將 UPS 資訊傳遞到告警系統，PLC 或電腦系統。標準設定中發送資訊包括正常運行信號，旁路模式信號，電池模式信號，市電模式信號，電池低壓信號。RS232 模式可提供連接到個人電腦或 UPS 控制顯示器的 RS232 介面。使用跳線來選擇介面（乾接點或 RS232）。



圖5-3: 標準AS400/RS232卡

- 工業閘道卡

工業閘道卡 (INDGW-M2) 綜合了 SNMP 卡的諸多例如：SNMP 代理，HTTP/Web 伺服器，Modbus 卡的功能。通過結合應用樓宇管理系統（BMS）可為 UPS 系統提供持續、可靠、精確的遠端監控服務。用戶可享受自訂例如遠端關機，卸載等任務，第一時間獲取 UPS 的系統提示，而無需親臨現場。



圖5-4: 工業閘道卡

- 二代環境偵測器

配合“千兆網路卡”和“工業閘道卡”使用使用的二代環境溫度偵測器，支援 4 個串聯，最長 50 米連接。同時偵測環境的溫度和濕度。採用磁吸易安裝，並提供額外的 2 個數位量輸入。可以在 Web 卡中設置溫度和濕度的告警限制並配合 Eaton 的 BLSS 和 IPP 軟體進行即時監控。對於鉛酸電池，可以實現電池的溫度補償。



圖5-5: 二代環境偵測器

5.2 智慧電源軟體套件

智慧電源軟體是伊頓電源管理系統的專用軟體。智慧電源管理軟體套件 (BLSS) 可以遠端監控和管理 UPS 設備。BLSS 可輕鬆讓您通過 PC 機查看國際化企業範圍內的供電設備。此軟體支援單台和基於 Web 的多台伊頓或其它製造商 UPS、智慧化配電設備 (ePDU) 及其它動力環境設備的監控，且支援虛擬化環境。

您可以從伊頓公司的網頁下載該軟體。

5.3 信號輸入監控

您可以使用這個功能將輸入信號例如煙霧偵測器或過溫告警連接至 UPS。用於外部連接的使用者介面端子位於 UPS 內部，您應該使用雙絞線。

信號輸入的名稱可以配置，以便在螢幕上顯示功能性名稱的告警。



注意

注意：觸點不能在超過 30VAC(RMS) 或 30VDC 並且最大 5A 下進行操作。

第 6 章 UPS 操作說明

本節介紹如何使用彩色觸控式螢幕控制操作 UPS。請參見 6.1 章節或 6.2 章節，瞭解有關專案。



說明

- UPS 開啟前，應確保所有安裝工作均已完成，且已由伊頓客戶服務工程師完成了首次啟動。首次啟動應檢驗所有的電氣連接，以保證安裝成功以及系統的正確運行。
- 在操作任何控制設備之前，應閱讀本手冊中的此部分，並透徹瞭解 UPS 的操作。
- UPS 可以在以下三種額定電壓下運行：220、230 或 240VAC。在操作 UPS 前，透過螢幕的設置 -> 系統資訊頁面，確認 UPS 的額定電壓和頻率。如果 UPS 需要在其它的電壓或頻率下運行，請聯繫就近的伊頓辦公室或經伊頓授權的代理商。
- UPS 不是測量設備。所有顯示的測量值均為近似值。

6.1 UPS 控制台和指示燈

本節標識和介紹用於控制和監視 UPS 運行的控制台和指示燈。圖 6-1 顯示了 UPS 的控制按面板和指示燈。

6.1.1 彩色觸控式螢幕控制台

控制台用於設置和控制 UPS 以及監視 UPS 的運行。有關 UPS 控制台功能的說明，請參見 6.2 章節。

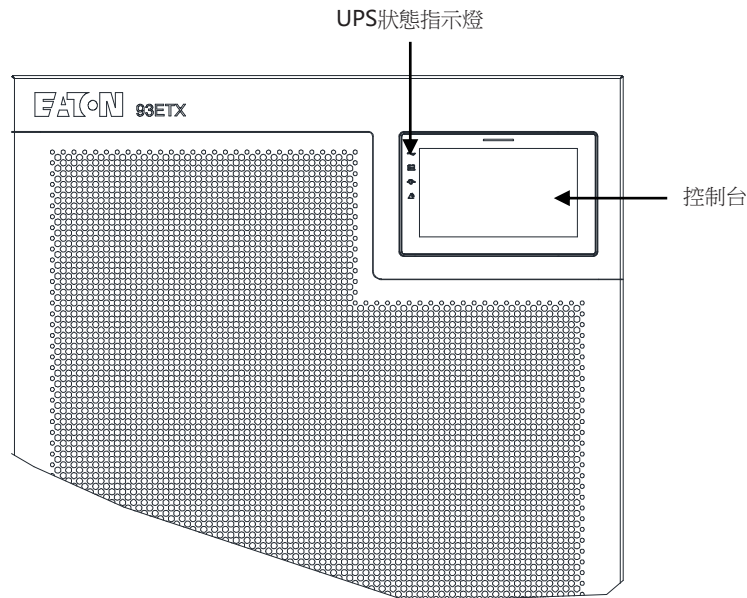






圖6-1: 控制台和指示燈

6.2 控制台的使用

6.2.1 狀態指示燈

控制台左邊的四個符號為狀態指示燈，為彩色發光二極體（LED）燈，並且能夠與告警器喇叭一起作用，以使您知道 UPS 的操作狀態。

表6-1：狀態指示燈

| 指示燈 | 狀態 | 描述 |
|--|----|--|
|  綠色-正常 | 常亮 | UPS處於“在線”模式，正常運行，電源模組向關鍵負載供電。 |
|  黃色-電池 | 常亮 | UPS處於“電池”模式。由於“電池”模式是UPS的正常狀態，因此“正常”指示燈也點亮。 |
|  黃色-旁路 | 常亮 | UPS處於“旁路”模式，關鍵負載由旁路源負擔。系統在“旁路”模式時，“正常”指示燈不亮。 |
|  紅色-報警 | 常亮 | UPS有一個活動的報警，要求立刻引起注意，HMI上顯示當前的活動報警。“報警”指示燈可與其它指示燈一起點亮。 |

6.2.2 系統日誌

當 UPS 系統在“正常”模式下運行時，它能不斷地對本身和輸入的市電電源進行監控。系統日誌可以通過 UPS 上的蜂鳴器、狀態指示燈或 Home 介面提示。

- 在 Home 介面點擊告警資訊位置處可進入當前日誌介面，此介面顯示當前所有活動的報警、通知或命令。有關日誌介面的使用的詳細資訊，請參閱第 6.2.3 節。
- 蜂鳴器：系統事件蜂鳴器發生聲音提醒操作人員當前有需要關注的事件發生，發生告警時蜂鳴器發出聲音；告警清除，蜂鳴器聲音停止。
- 系統狀態指示燈：UPS 控制台上的狀態指示燈以光的形式通知操作人員 UPS 的當前工作狀態，其功能與事件蜂鳴器類似。當 UPS 系統運行在正常模式中，只有“正常”指示燈亮。其它指示燈亮即表示有告警或事件發生。當發生告警時，首先檢查這些指示燈，以辨別發生了哪類事件。有關狀態指示燈的說明，請參閱第 6.2.1 節“狀態指示燈”。

6.2.3 觸控式螢幕的使用

控制台上的液晶顯示器為 UPS 系統提供了一個操作員介面。圖 6-2 標識了各個顯示區域，這些區域將在以下各節中進行介紹。

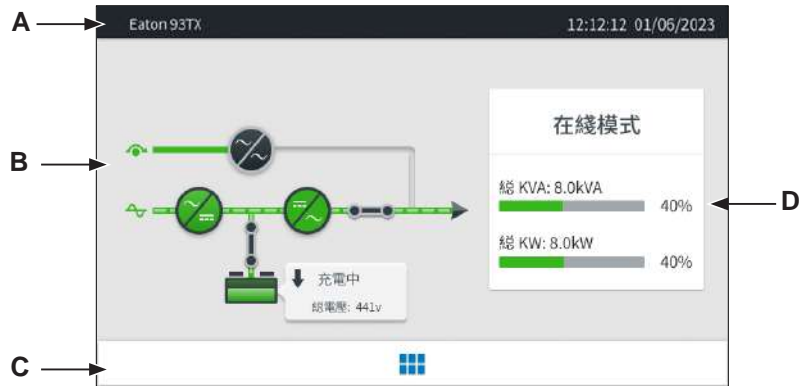


圖6-2: 觸控式螢幕組成部分 (Home 介面)

- A. UPS 狀態欄顯示 Eaton 機器的型號、當前日期和時間、當前告警資訊。
- B. 能量流圖區包括有關 UPS 的能量流圖狀態和運行的資訊。
- C. 點擊功能表列可進入功能表介面查看更多 UPS 資訊。
- D. Meters 資料區顯示 UPS 當前運行模式，總 kVA 和 kW, 及其所占百分比。點擊該區域可查看三相詳情資料。

屏保時間 10 分鐘，停留在任意介面若無人點擊螢幕 10 分鐘，螢幕自動跳轉到HOME 介面，同時關閉背光燈再次點擊螢幕時，背光亮起，恢復背光。

6.2.4 功能表的使用


點擊 Home 頁下方圖示 “” 可進入功能表介面，如圖 6-3 所示。表 6-2 顯示基本的功能表結構。



圖6-3: 功能表介面

表6-2：顯示功能功能表圖

| 菜單 | 選項描述 |
|-----------------|-------------------------------|
| 儀錶 (Meters) | 顯示系統或關鍵負載的測量值 |
| 控制 (Control) | 用於訪問各種系統性能控制螢幕 |
| 統計 (Statistics) | 用於訪問查看系統特定運行值，僅限Eaton服務工程師使用。 |
| 日誌 (Log) | 用於訪問系統資訊日誌，包含告警，通知，命令資訊。 |
| 訊息 (Info.) | 顯示UPS和HMI資訊介面 |
| 設置 (Setting) | 用於訪問各種螢幕控制變數以進行系統操作 |

6.2.5 儀錶 (Meters) 功能表的使用

在功能表介面點擊儀錶 (meters) 按鈕，可進入儀錶 (Meters) 介面。[表 6-3](#) 顯示 Meters 的功能表結構。[圖 6-4](#) 到 [圖 6-7](#) 顯示 Meters 各介面。

表6-3：Meters功能功能表圖

| 菜單 | 選項描述 |
|--------------|---|
| 輸入 (Input) | “輸入” 螢幕顯示了輸入市電的輸入電壓 (每相)、輸入電流 (每相)，輸入功率 (每相) 和總頻率以及總kVA、總kW 和功率因數測量值。 |
| 輸出 (Output) | “輸出” 螢幕顯示了輸入市電的輸出電壓 (每相)、輸出電流 (每相)，輸出功率 (每相) 和總頻率以及總kVA、總kW 和功率因數測量值。 |
| 旁路 (Bypass) | “旁路” 螢幕顯示了旁路輸入電壓 (相電壓)、輸入電流 (每相)，輸入功率 (每相) 和總頻率以及總kVA、總kW 和功率因數測量值。 |
| 電池 (battery) | “電池” 螢幕顯示了電池電壓、電池單體電壓，電池電流等。 |

| 電壓/V | 電流/A | 總功率/kVA | 總和 |
|-------|------|---------|--------------|
| A 229 | 16 | 3.9 | 負載 KVA: 11.7 |
| B 232 | 16 | 3.9 | 負載 KW: 11.6 |
| C 230 | 15 | 3.8 | 頻率/Hz: 50.0 |
| | | | 功率因數: 0.99 |

圖6-4：輸入介面

| ← 輸入 | | | | | → 輸出 | | 旁路 | 電池 |
|------|------|---------|---------|-----|---------|------|----|----|
| 電壓/V | 電流/A | 總功率/kVA | 有功功率/kW | 總和 | | | | |
| A | 229 | 11 | 2.0 | 2.9 | 負載 KVA: | 8.0 | | |
| B | 230 | 11 | 2.1 | 2.0 | 負載 KW: | 8.0 | | |
| C | 230 | 11 | 2.0 | 2.1 | 頻率/HZ: | 50.0 | | |
| | | | | | 功率因數: | 1.00 | | |

← 儀表

圖6-5: 輸出介面

| ← 輸入 | | | | | → 輸出 | | 旁路 | 電池 |
|------|------|---------|-----|---------|------|--|----|----|
| 電壓/V | 電流/A | 總功率/kVA | 總和 | | | | | |
| A | 229 | 0 | 0.0 | 負載 KVA: | 0.0 | | | |
| B | 230 | 0 | 0.0 | 負載 KW: | 0.0 | | | |
| C | 231 | 0 | 0.0 | 頻率/HZ: | 50.0 | | | |
| | | | | 功率因數: | *** | | | |

← 儀表

圖6-6: 旁路介面

| ← 輸入 | | | | | → 輸出 | | 旁路 | 電池 |
|------------|--------|------|--------|-----|------|--|----|----|
| 電壓/V | 單體電壓/V | 電流/A | 總和 | | | | | |
| 電池組+: 220 | 2.30 | 6.8 | 總電壓/V: | 440 | | | | |
| 電池組-: -220 | 2.30 | 6.7 | | | | | | |

← 儀表

圖6-7: 電池介面

6.2.6 控制（Control）功能表的使用

在功能表介面點擊控制（Control）按鈕，輸入初始控制密碼“11111111”點擊“OK”，密碼正確後點擊“下一步”進入控制（Control）介面，如圖 6-8 所示。表 6-4 顯示控制（Control）的功能表結構，當控制密碼或設置密碼連續 5 次輸入錯誤時帳號會被鎖定，同時記錄在日誌中，10分鐘後可重試。

表6-4：控制（Control）的功能表圖

| 菜單 | 選項描述 |
|------------|---|
| 系統（System） | “系統”螢幕可進行系統轉旁路，系統開機，系統關機，ESS使能操作。在該介面上方區域可查看UPS狀態，電池狀態。 |
| UPS（UPS） | “UPS”螢幕可進行電池測試，電池充電器開啟，電池充電器關閉，單UPS開機，單UPS關機操作。在該介面上方區域可查看UPS狀態，電池狀態。 |
| UPM（UPM） | “UPM”螢幕可查看UPM狀態，UPS狀態，電池狀態；可進行UPM關機操作。 |



圖6-8：密碼正確介面

系統控制介面可進行旁路模式切換、系統開機、系統關機、ESS 啟用、ESS 禁用操作。其中按鈕灰色時代表當前狀態此按鈕功能失效。在介面上方可查看 UPS 狀態、電池狀態。

系統切換至旁路模式操作方法：

當“進入旁路模式”按鈕不為灰色時，此時可切換至旁路。

1. 點擊“進入旁路模式”按鈕，進入切換旁路介面，如圖 6-9 所示；
2. 點擊此介面“切換到旁路”按鈕，如圖 6-10 所示；
3. 點擊“確認”按鈕，則可切換到旁路模式，如圖 6-11 所示；

其它按鈕功能亦是如此。



圖6-9: 系統介面



圖6-10: 切換旁路介面

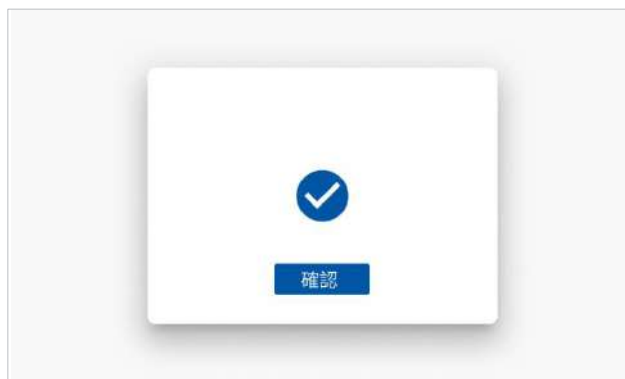


圖6-11: 確認介面

UPS 控制介面可進行電池測試、單 UPS 開機、單 UPS 關機、電池充電器開啟、電池充電器關閉操作。其中按鈕灰色時代表當前狀態此按鈕功能失效。在介面上方可查看 UPS 狀態、電池狀態。

若系統中只有一台 UPS 時，系統介面關機按鈕失效，單 UPS 關機按鈕生效。此介面功能按鈕操作方法請參考切換旁路模式方法。



圖6-12: UPS介面

UPM 控制介面可查看 UPS 狀態、電池狀態、UPM 狀態、如圖 6-13 所示。點擊介面上 > 進入 UPM 關機介面，如圖 6-14 所示。其中按鈕灰色時代表當前狀態此按鈕功能失效。點擊此介面“關機”按鈕，可將 UPM 關機。



圖6-13: UPM介面



圖6-14: UPM關機介面

6.2.7 日誌 (Log) 功能表的使用

在功能表介面點擊日誌 (Log) 按鈕，可進入日誌 (Log) 介面。如下圖 6-15 所示。表 6-5 顯示日誌 (Log) 的功能表結構。

表6-5：日誌 (Log) 的功能表圖。

| 菜單 | 選項描述 |
|--------------------|------------------------------------|
| 當前告警 (Active Log) | "當前告警" 螢幕可查看當前UPS所有告警資訊。 |
| 歷史告警 (History Log) | "歷史告警" 螢幕可查看所有歷史告警資訊，最多1024條，205頁。 |
| 清除告警 (Clear Log) | "清除告警" 螢幕可清除當前告警介面告警資訊。 |



圖6-15：當前告警介面



圖6-16：歷史告警介面

點擊該介面“清除所有當前告警”按鈕，可清除當前告警。



圖6-17: 清除告警介面

6.2.8 訊息 (Info.) 功能表的使用

在功能表介面點擊資訊 (Info.) 按鈕，可進入資訊 (Info.) 介面。在資訊介面可查看UPS 名稱、序號、UPM 版本號、HMI 版本號等資訊。圖 6-18 和圖 6-19 顯示了資訊各介面。

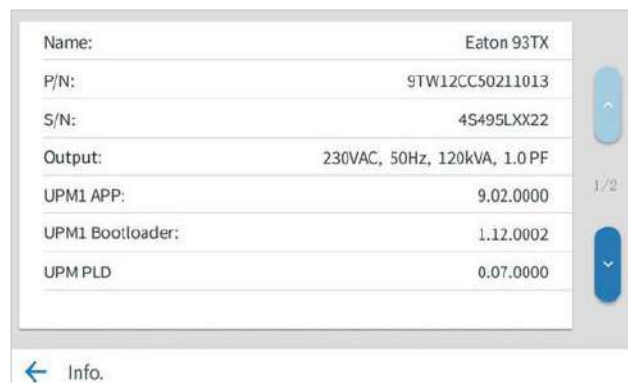


圖6-18: 資訊1介面



圖6-19: 資訊2介面

6.2.9 設置（Setting）功能表的使用

在功能表介面點擊設置（Setting）按鈕，輸入初始密碼“01010101”點擊“OK”，密碼正確後點擊“下一步”進入設置（Setting）介面。在設置介面可以對語言、時間、亮度、輸出電壓和頻率、修改密碼等進行設置。

表6-6：顯示設定（Setting）的功能表結構

| 菜單 | 選項描述 |
|------------------|---|
| 通用（General） | “通用”介面可設置HMI顯示語言，日期，時間，亮度，蜂鳴器使能，服務提醒設置。 |
| 參數（Meters） | “參數”介面可設置UPS測量值。 |
| 輸出（Output） | “輸出”介面可設置UPS輸出電壓和頻率。 |
| 指示燈測試（Lamp Test） | “指示燈測試”介面可檢測控制台四個指示燈是否正常。 |
| 密碼（Password） | “密碼”介面可修改控制密碼和設置密碼。 |

| 密碼等級 | 描述 |
|------|-------------------------|
| 控制密碼 | 初始密碼“11111111”，用於進入控制介面 |
| 設置密碼 | 初始密碼“01010101”，用於進入設置介面 |



圖6-20：設置密碼正確介面



圖6-21: 設置介面



圖6-22: 設置-通用介面

點擊通用介面時間按鈕，可設置時間時分秒。如下圖所示，設置完成後點擊保存按鈕，即可保存此次設置的時間；點擊取消按鈕，則返回“通用”介面。

其它參數的設置方法亦是如此。

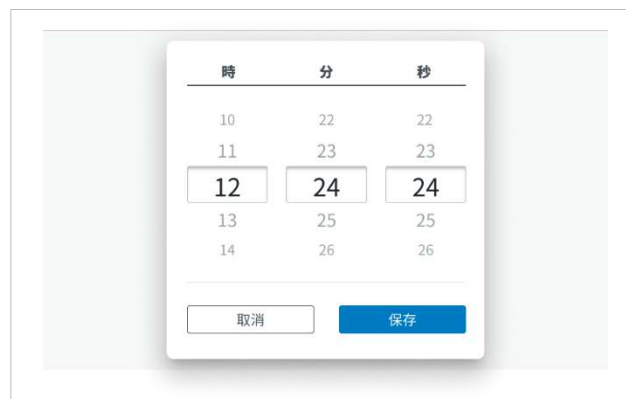


圖6-23: 設置-通用-時間介面



圖6-24: 設置-輸出介面



圖6-25: 設置-參數介面

密碼介面用於修改進入控制介面和設置介面的密碼。



圖6-26: 設置-密碼介面

修改控制密碼介面用於修改進入控制介面的密碼，在該介面點擊“控制密碼使能”按鈕時，則顯示修改控制密碼的鍵盤和密碼顯示框，如圖 6-28 所示，此時可修改控制密碼。

依次在介面右側點擊密碼鍵盤輸入舊密碼和新密碼後，點擊鍵盤上“OK”按鈕，若舊密碼輸入正確，則介面上則顯示文字“新密碼已保存”，如圖 6-29 所示。若舊密碼輸入錯誤時，界面上則顯示文字“舊密碼錯誤”，此時則需要重新輸入密碼，如圖 6-30 所示。



圖6-27: 修改控制密碼介面



圖6-28: 修改控制密碼介面



圖6-29: 修改控制密碼介面



圖6-30: 修改控制密碼介面

修改設置密碼介面用於修改進入設置介面的密碼，如圖 6-31 所示，此時可修改設置密碼。

依次在介面右側點擊密碼鍵盤輸入舊密碼和新密碼後，點擊鍵盤上“OK”按鈕，若舊密碼輸入正確，則介面上則顯示文字“新密碼已保存”，若舊密碼輸入錯誤時，介面上則顯示文字“舊密碼錯誤”，此時則需要重新輸入密碼。



圖6-31: 修改設置密碼介面

6.2.10 服務提醒功能的使用

某些服務到期時，home 介面會彈出“服務維護提醒”按鈕，如圖 6-32 所示：

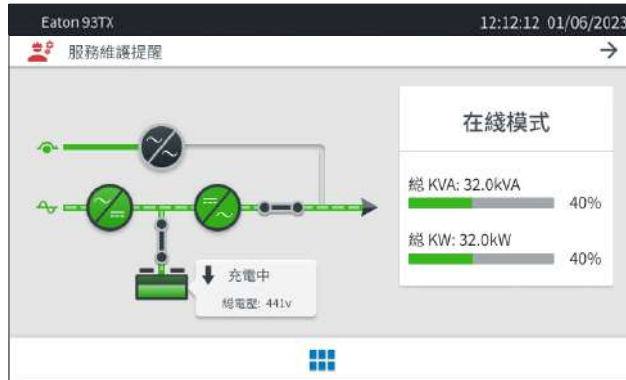


圖6-32: 服務維護提醒介面

服務提醒包含以下四個方面：

1. 預防性維護提醒
2. 電池更換提醒
3. 電容更換提醒
4. 風扇更換提醒

點擊“服務維護提醒”按鈕，進入如下介面紅色字體部分表示此提醒已到期；文字灰色表示此提醒未到期 / 未使能此提醒；

若有四個服務提醒均到期，點擊“6 個月後提醒我”或者“1 個月後提醒我”後，四個提醒服務提醒將按選擇的時長到期後再次提示。

點擊“瞭解更多”按鈕，可查看該提示的詳情介紹。



圖6-33: 服務維護提醒設置介面

服務提醒功能處在通用子功能表頁面參考圖 6-21，用戶可設置。



圖6-34: 服務提醒功能位置

點擊“服務提醒”按鈕，進入如下介面：



圖6-35: 各項服務提醒設置頁面

點擊“風扇更換提醒”按鈕，進入如下介面，在該介面可設置服務提醒的時間間隔，使能 / 禁用該服務提醒；禁用後到期時不再顯示提醒，時間不清零，使能後到期繼續提醒；設置完成點擊保存，介面可顯示提醒日期與使能狀態。

其他三項服務提醒頁面設置操作方法與此介面相同。



圖6-36: 風扇更換日期提醒設置

6.3 系統操作



說明

外部箱電池安裝請參見章節 4.4。

6.3.1 “在線” 模式下啟動UPS(預設模式)

UPS 系統可以是單個 UPS，也可以是多個並聯的 UPS。

啟動 UPS 系統：

1. 檢查並確認 N 線開關、輸入開關、輸出開關以及旁路開關閉合，維護旁路開關斷開；
2. 閉合外部輸入配電開關；
3. 閉合外部旁路配電開關；
4. 觀察 UPS 控制台顯示指示邏輯電源，對系統中的每個 UPS 重複以上 1-3 步；
5. 確認無告警；
6. 在功能表頁面選擇“控制”按鈕，按下確認進行系統開機操作；
7. 在控制介面選擇“系統”；
8. 點擊系統介面“開機”按鈕，按下確認進行系統開機操作；
9. 在“系統控制”頁面按下“開機”按鈕。系統會先開整流，整流正常後再開逆變，UPS 轉入在線模式。整流正常開啟時電池 relay 會自動閉合。UPS 系統到達在線模式大概需要 20 秒左右。
10. 此時 UPS 運行在在線模式，系統中所有 UPS 狀態指示燈都顯示在線模式。

6.3.2 “旁路” 模式下啟動UPS

如果 UPS 逆變輸出不可用並且關鍵負載需要供電，則執行以下步驟：



注意

- 當 UPS 處於“旁路”模式時，如旁路中斷或異常發生，關鍵負載不受保護。
- 當 UPS 首次開機或因故障完全停機時，此模式開機僅限服務人員，以保護負載及設備。

1. 檢查並確認 N 線開關、輸入開關、輸出開關以及旁路開關閉合，維護旁路開關斷開（若 UPS 配有該開關）；
2. 閉合外部輸入配電開關；
3. 閉合外部旁路配電開關；
4. 觀察 UPS 控制台顯示指示邏輯電源，對系統中的每個 UPS 重複以上 1-3 步；

5. 在功能表介面選擇“控制”，輸入密碼顯示控制介面；
6. 在控制介面選擇“系統”；
7. 點擊系統介面“進入旁路模式”按鈕，按下確認進行轉旁路操作；
8. UPS 此時工作在旁路模式，旁路狀態指示燈被點亮。

6.3.3 “在線”模式到“旁路”模式的轉換

完成以下步驟將負載轉換至“旁路”模式。



注意

當 UPS 處於“旁路”模式時，如旁路中斷或異常發生，關鍵負載不受保護。

1. 在主頁上選擇“控制”按鈕，跳轉至“系統控制”頁面；
2. 在“系統控制”頁面按下“轉旁路”按鈕。如果旁路不可用，控制單元繼續運行，並發出告警聲。否則，關鍵負載即刻旁路供電；
3. UPS 系統運行在旁路模式，並且旁路指示燈亮。UPS 狀態顯示為“就緒”，系統狀態為“旁路模式”。

6.3.4 “旁路”模式到“在線”模式的轉換

要使關鍵負載轉換到“在線”模式，應完成下列步驟：

1. 在主頁上選擇“控制”按鈕，跳轉至“系統控制”頁面；
2. 在“系統控制”頁面按下“開機”按鈕。如果此時UPS 帶載能力不夠，系統會繼續處於旁路模式，UPS 發出告警聲。否則，UPS 系統轉換至在線模式；
3. 此時 UPS 運行在在線模式，在線狀態指示燈亮，系統狀態顯示“市電模式”。

6.3.5 “在線”模式到“EAA”模式的轉換

提示：只有在工廠或服務人員使能了高級節能解決方案 (EAA) 模式功能的情況下，才會顯示“ESS 模式”命令的按鈕。

負載轉換到 ESS 模式：

1. 在功能表介面選擇“控制”，輸入密碼顯示控制介面；
2. 在控制介面選擇“系統”，切換到系統介面；
3. 點擊系統介面“ESS 啟用”按鈕，按下確認按鈕；
4. 如未偵測到異常，UPS 等到電池充滿之後，轉到 ESS 模式。如偵測到異常 UPS 將等到異常消除時，再轉到 ESS 模式。

如果旁路不可用或條件不允許轉 ESS 模式，功率模組繼續運行，UPS 發出告警聲。否則，整個

UPS 系統轉換到 ESS 模式，關鍵負載由旁路供電。正常狀態指示燈亮，系統狀態顯示為“UPS 在線，ESS”。UPS 的狀態為“就緒”。

6.3.6 “ESS” 模式到 “在線” 模式的轉換

提示：只有在工廠或服務人員使能了高級節能解決方案 (EAA) 模式功能的情況下，才會顯示“ESS 模式”命令的按鈕。

負載轉換到“在線”模式：

1. 在功能表介面選擇“控制”，輸入密碼顯示控制介面；
2. 在控制介面選擇“系統”，切換到系統介面；
3. 點擊系統介面“ESS 禁止”按鈕，按下確認按鈕，UPS 轉到標準正常模式。
4. 正常狀態指示燈亮。

如果功率模組不可用，系統仍在旁路，UPS 發出告警聲。否則，UPS 系統先轉換至電池模式再轉到在線模式。在線模式指示燈亮，UPS 狀態顯示為“市電模式”。UPS 狀態為“運行中”。

6.3.7 系統關機

如要在關鍵負載進行保養和維修，請通過下列步驟關機：

通過 UPS 控制螢幕上的“LOAD OFF”命令來啟動 UPS 關機。UPS “LOAD OFF”指令可使 UPS 斷開所有輸出。

UPS（包括旁路）處於關機狀態，直到重新開機。

使用“LOAD OFF”的步驟：

1. 在功能表介面選擇“控制”，輸入密碼顯示控制介面；
2. 單機模式：在控制介面選擇“UPS”，切換到 UPS 介面；
3. 點擊UPS 介面“單UPS 關機”按鈕，按下確認按鈕。“關機”標誌出現，選擇繼續還是放棄關閉；



注意

在下一步驟選擇“是”，UPS 將斷輸出，只有在確認要斷開 UPS 輸出時才能使用該功能。

4. 選擇“是”或“否”，按下返回箭頭按鈕；

選擇“是”將立即關閉 UPS 並斷開 UPS 輸出。選擇“否”將取消關閉。



注意

在關機後，關閉原因被確定且清除之前，請勿重啟系統。

5. 斷開 UPS 輸入開關；

6. 斷開 UPS 旁路輸入開關；
7. 斷開 UPS 維護旁路開關；
8. 斷開 N 線開關；
9. 斷開 UPS 輸入和旁路配電開關；
10. 如安裝了外部電池箱，斷開所有電池開關（包括電池 N 線開關）。



警告

UPS 機櫃內部存在電源。

6.4 單機操作

6.4.1 單機啟動

保證負載水準不會超出單台 UPS 的容量。UPS 系統可以是單個 UPS，也可以是多個並聯的 UPS。

啟動 UPS 系統：

1. 檢查並確認 N 線開關、輸入開關、輸出開關以及旁路開關閉合，維護旁路開關斷開（若 UPS 配有該開關），然後關閉前門；
2. 閉合外部輸入配電開關；
3. 閉合外部旁路配電開關；
4. 觀察 UPS 控制台顯示指示邏輯電源；
5. 確認無告警；
6. 在功能表頁面選擇“控制”，輸入密碼顯示控制頁面；
7. 在控制介面選擇“系統”
8. 點擊系統介面“開機”按鈕，按下確認進行系統開機操作；
9. 整流和逆變開啟，逆變電壓達到設定值後，顯示在線狀態，在線顯示燈（綠燈）亮起；
10. 此時 UPS 運行在在線模式，系統中所有 UPS 狀態指示燈都顯示在線模式。

6.4.2 UPS 關機

只有當單個 UPS 在系統中是冗餘的情況下才可以關機。也就是說如果單台 UPS 的關機會導致系統超載的話，是不允許關機的。

關閉單台 UPS：

1. 在主頁面按下“控制”按鈕，頁面跳轉至“系統控制”；
2. 在“系統控制”頁面，按下“UPS 控制”按鈕；
3. 在“UPS 控制”頁面，選擇“關機”。

啟動或關閉電池充電器

啟動或關閉電池充電器，請按以下步驟執行：

1. 在主頁面按下“控制”按鈕，頁面跳轉至“系統控制”；
2. 在“系統控制”頁面，按下“UPS 控制”按鈕；
3. 在“UPS 控制”頁面，選擇“開充電器”或“關充電器”。

6.5 遠端緊急斷電（REPO）開關的使用

通過“REPO”按鈕開關觸發 UPS 緊急斷電。在緊急情況下，可使用此開關控制 UPS 的輸出。遠端緊急斷電開關無需請求確認即可使 UPS 關閉並斷輸出。



注意

在下一步驟啟動 REPO 開關時，UPS 將斷輸出，只有在確認要斷開 UPS 輸出時才能使用該功能。



說明

下列是對伊頓公司提供的遠端緊急斷電開關的說明。如果使用客戶提供的遠端緊急斷電開關，則可能並不以同樣的方式啟動，請參考隨開關提供的操作說明書。

使用遠端緊急斷電開關的步驟：

1. 按下 EPO 按鈕開關

在不請求確認的情況下，輸入、輸出和旁路的回饋接觸器斷開，電池開關斷開並且功率模組立即關閉；

2. 要在使用“REPO”按鈕後重啟 UPS，應先重定“REPO”開關，然後參見 6.3.1 節“在線模式下啟動 UPS”或 6.3.2 節“旁路模式下啟動 UPS”。
-



注意

關機後，在未確定並清除關機原因之前，請勿重啟系統。

6.6 “在線” 模式到 “維護旁路” 的轉換

轉維護旁路的操作必須由專業人員來執行。

UPS 轉換到 “維護旁路”

正常的起始位置如下：



注意

維護旁路和靜態旁路共用同一個輸入源。

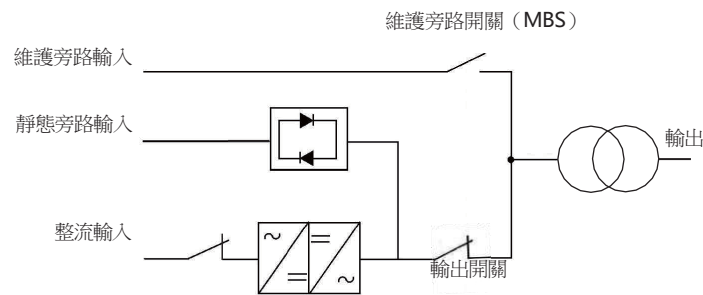


圖6-37: 在線模式下開關狀態

1. 參見 6.3.3 節 “在線模式轉換至旁路模式”，執行 “在線” 模式到 “旁路” 模式的轉換；
2. 拆除維護旁路開關蓋板，將維護旁路開關閉合；
3. 參見 6.3.7 “系統關機”，將系統斷電；
4. 斷開輸入開關，切斷 UPS 整流器輸入；
5. 斷開輸出開關，切斷 UPS 逆變輸出；
6. 斷開旁路開關，切斷 UPS 旁路輸入；
7. 斷開 N 線開關，切斷 UPS N 線連接；
8. 如安裝了外部電池箱，斷開所有電池開關。

UPS 處於 “維護旁路模式”

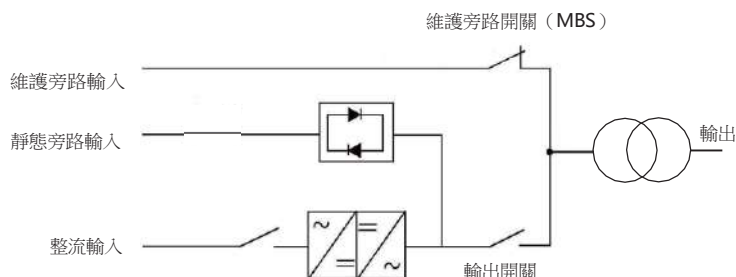


圖6-38: 維護旁路模式下開關狀態

6.7 “維護旁路”到“在線”模式的轉換

將 UPS 轉回至“在線模式”

正常的起始位置如下：

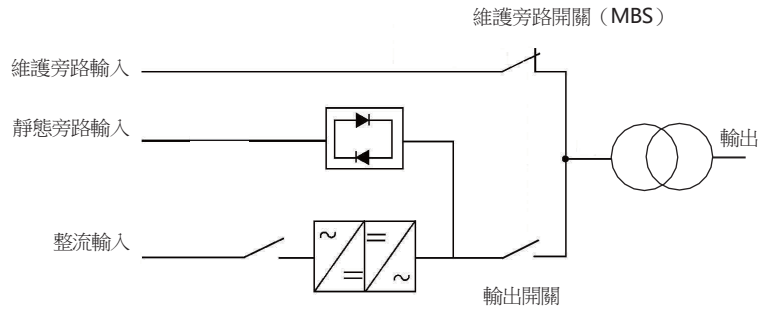


圖6-39: 維護旁路模式下開關狀態

1. 閉合 N 線開關；
2. 閉合輸入開關，接通 UPS 整流輸入；
3. 閉合旁路開關，接通 UPS 旁路輸入；
4. 閉合外部電池開關（包括電池 N 線）；
5. 參見 6.3.2 節“旁路”模式下啟動 UPS，執行 UPS 開機程式（旁路模式）；
6. 閉合輸出開關，接通 UPS 逆變輸出；
7. 斷開維護旁路開關，再將維護開關蓋板裝上；
8. 參見 6.3.4 節“旁路模式轉換至在線模式”，將系統從旁路模式轉換至在線模式。

UPS 運行在“在線模式”

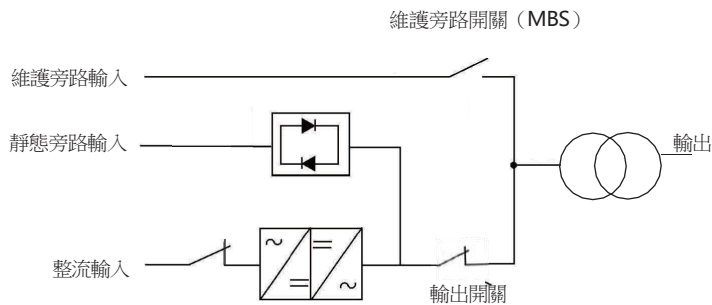


圖6-40: 在線模式下開關狀態

第 7 章 UPS 維護

UPS 機櫃內的零部件都固定在一個堅固的金屬機架上，所有可維修零件和元件的位置都便於拆卸，此設計降低維護成本與維護時間。

為保證 UPS 系統的正常運行，必須制定定期性能檢查計畫。定期日常操作檢查和系統參數檢查可保證系統無故障並有效地運行數年。

7.1 重要安全指導

記住：UPS 系統用於即使在市電斷電的情況下為設備供電。只有當 DC 電源斷開且電解電容器放電後 UPS 模組內部才是安全的。在斷開市電和 DC 電源後，維修人員至少應等待 5 分鐘，讓電容器放完電，然後再接近 UPS 模組內部。



警告

- 必須由伊頓客戶服務工程師進行維修和維護。
- 存在致命電壓。在機櫃門打開或保護板拆掉時不能繼續使用本 UPS。切勿對 UPS 系統中任何機櫃的帶電狀態作任何猜測。

由於每個電池串本身是一個能量源。請勿接觸電池串內部任何區域，電池串內始終有電壓。如果懷疑某個電池串需要維修，應聯繫您的維修代表。

在電池或電池周圍作業時，請遵守下列規定：

- 摘下手錶、戒指或其它金屬物體。
- 使用帶絕緣手柄的工具。
- 穿戴絕緣手套和絕緣鞋。
- 不要將工具或金屬零件放置在電池或電池盒頂上。
- 在連接或斷開接線端之前，斷開充電電源。
- 確定電池是否無意中接地，如果是，清除接地的電源。接觸一個接地電池的任何部分可能導致觸電。
- 更換電池時，應使用與 UPS 中原裝電池相同型號及相同規格參數的電池。
- 應對廢舊電池進行適當的處理，參考當地的有關處理規範。
- 切勿將電池投入火中，電池在火中可能會爆炸。
- 請勿打開或損毀電池。釋放的電解液可能有毒，會對皮膚和眼睛造成傷害。

7.2 進行預防性維護

UPS 系統預防性維護工作更為便捷，包括定期檢查和保養等，建議專業的原廠技術維修人員提供，以確保設備裝置正常工作以及電池狀態良好。

7.2.1 日維護

每天執行下列步驟：

1. 檢查 UPS 系統周圍的區域，確保此區域整齊有序，通往裝置的通道暢通無阻；
2. 確保進氣口（前門上的通氣口）和排氣口（位於 UPS 機櫃後部或頂部）不堵塞；
3. 確保工作環境在第 3.2.1 節和 第 8 章 “產品技術指標” 中規定的參數範圍內；
4. 確保 UPS 在 “在線” 模式（“在線” 狀態指示燈亮）。如果有報警燈亮或 “在線” 狀態指示燈不亮，請聯繫您的客服代表。

7.2.2 月維護

每月執行下列步驟：

1. 按第 6.2 節 “控制台的使用” 中所述監視系統參數；
2. 檢查空氣過濾網，必要時清洗或更換。位置請參見 [圖 7-1](#) 所示。要更換過濾網，請聯繫您的客服代表。拆卸過濾網的步驟如下：



注意

在重裝之前，確保清洗過的過濾網已完全乾燥。

- a. 開鎖，打開前門（[圖 7-1](#)）；
 - b. 拆掉防塵壓條兩側螺絲；
 - c. 從前門板上取下防塵網清洗，或更換新的防塵網；
 - d. 裝上防塵壓條，鎖緊螺絲。
 - e. 關門，上鎖。
3. 在適當的日誌中記錄檢查結果和任何糾正操作。

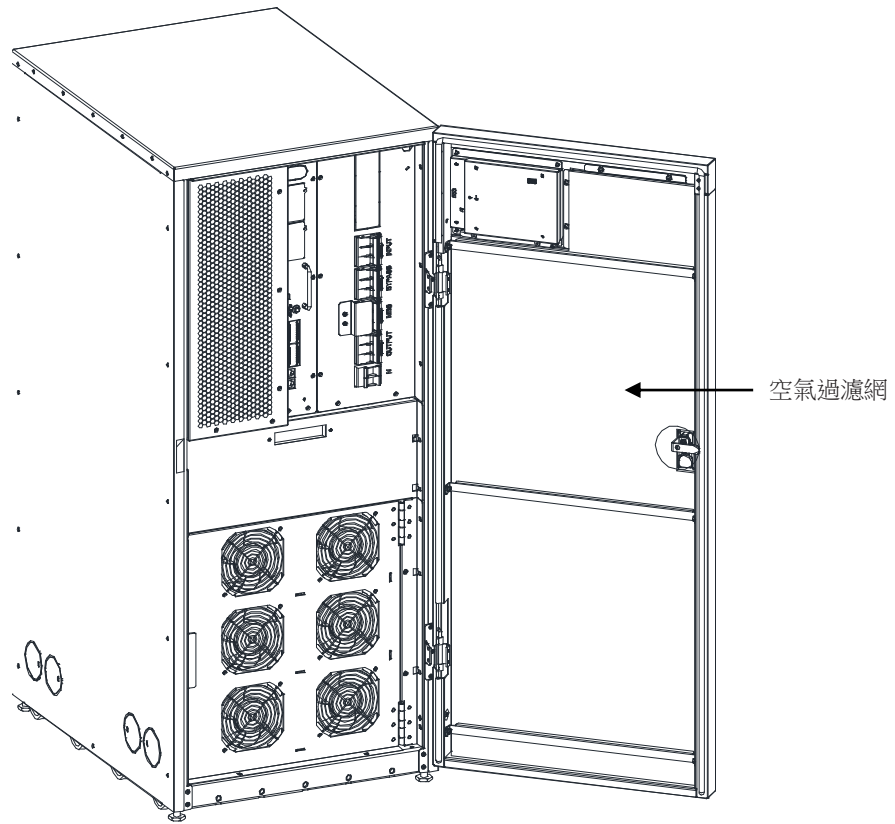


圖7-1: 空氣過濾網位置

7.2.3 定期維護

需對 UPS 進行定期檢查以確定是否有零件，配線和介面過熱現象。需特別注意壓線端子，維護過程需注意壓線端子應被扭緊。

7.2.4 年維護

每年的預防性維護只能由熟悉本 UPS 系統維護和維修工作的伊頓客戶服務工程師執行。關於維護專案的更多資訊，請聯繫您的客服代表。

7.2.5 電池維護

要維護電池，請聯繫您的客服代表，電池的更換和維護只能由伊頓客戶服務工程師執行。

7.3 安裝電池



說明

UPS 內部無手動 DC 斷開裝置。

請根據生產商的說明安裝電池；

用過的電池或 UPS 的回收；

關於正確的電池處理方法，請聯繫當地回收利用中心或有害廢物回收中心。



警告

- 請勿將電池丟棄在火中，可能會引起爆炸。電池需妥善處理，處理要求請參考當地法規。
 - 請勿打開或損毀電池。釋放的電解液會對皮膚和眼睛造成傷害，可能有毒。
 - 電池可造成電擊，燒毀（高短路電流）或起火。請參考相關注意事項。
-



注意

- 請勿將 UPS 或 UPS 電池丟棄在垃圾桶中。本產品含有密封鉛酸蓄電池，必須妥善處置。請聯繫當地回收 / 有害廢物回收中心瞭解詳細資訊。
 - 請勿將廢電子或電氣設備 (WEEE) 丟棄在垃圾桶中。請聯繫當地回收 / 有害廢物回收中心妥善處置。
-

7.4 維護培訓

伊頓公司提供基礎的培訓課程，使您掌握 UPS 操作知識及如何進行初級的糾正維護。培訓及其他服務的詳細資訊請聯繫客服代表。

第 8 章 產品技術指標

8.1 型號

UPS 系統被放置在獨立的機櫃內部，接線端子處有安全防護擋板。每種額定輸出功率的 UPS 系統都有 50/60Hz 頻率可選。

| UPS 型號 | 額定容量 | 頻率 |
|----------------|----------|----------|
| 93ETX 15kVA | 15kVA | 40-72 Hz |
| 93ETX 20kVA | 20kVA | 40-72 Hz |
| 93ETX 30kVA | 30kVA | 40-72 Hz |
| 93ETX 40kVA | 40kVA | 40-72 Hz |
| 93ETX 50/60kVA | 50/60kVA | 40-72 Hz |
| 93ETX 80kVA | 80kVA | 40-72 Hz |

8.2 技術指標

8.2.1 標準

| | |
|-----------------------|---|
| 安規 | IEC 62040-1, IEC 60950-1 |
| EMC, 電磁干擾 | IEC 62040-2 2016 |
| EMC, 電磁敏感度 | IEC 61000-2-2 (Low-frequency conducted) IEC 61000-4-2 (ESD) IEC 61000-4-3 (RF electromagnetic field) IEC 61000-4-4 (Electrical Fast Transient/Burst Immunity Test) IEC 61000-4-5 (Surge) IEC 61000-4-6 (Conducted RF common mode) IEC 61000-4-8 (Power frequency magnetic field) IEC 61000-4-11 (Voltage dips and Voltage interruptions) |
| 性能 & 測試 | IEC 62040-3 2011 |
| 環境 | IEC 62430 |
| RoHS | 2002/95/EC |
| WEEE | 2002/96/EC |
| ECO Design Directive: | 2009/125/EC |
| 電池 | 2006/66/EC |
| 包裝 | 94/62/EC |

8.2.2 UPS 輸入

以下表格詳細說明：UPS 的輸入、輸出、環境和電池指標。

| | |
|-----------------|---|
| 額定輸入電壓 | 220/380 V; 230/400 V; 240/415 V |
| 電壓範圍（整流輸入） | 190/330 ~ 276/478Vac (-15%, +20%)，100%負載下 116/201 ~ 276/478Vac (-50%, +20%)，50%負載下 |
| 電壓範圍（旁路輸入） | 195/338 ~ 264/458Vac（預設範圍額定電壓±15%，最大可選範圍±20%） |
| 額定輸入頻率 | 50 或 60 Hz, 使用者可配置 |
| 頻率範圍 | 40-72Hz |
| 輸入相數（整流輸入） | 三相 +N 線 |
| 輸入相數（旁路輸入） | 三相 +N 線 |
| 輸入功率因數 | > 0.99 |
| 額定輸入電流 | 參見表 3-3：額定功率和電壓下的額定電流 |
| 最大輸入電流 | |
| 額定輸入電流下失真度，THDi | < 3 % |

8.2.3 UPS 輸出

| | |
|------------|---|
| 輸出相數 | 3 相 + N |
| 額定輸出電壓 | 220/380 V; 230/400 V; 240/415 V, 可配置 |
| 電壓諧波失真 | 100 % 線性載 < 2 % 100 % 非線性載 < 5 % |
| 額定輸出頻率 | 50 或 60 Hz, 使用者可配置 |
| 額定輸出頻率精度 | ± 0,1 Hz |
| 超載能力 | 102-110% 負載 60 分鐘； 111-125% 負載 10 分鐘； 126-150% 負載 1 分鐘； >151% 負載 150 毫秒。 |
| 輸出電流 | 參見表 3-3：額定功率和電壓下的額定電流 |
| 負載功率因數（允許） | 滯後 0.7 到超前 0.9 |

8.2.4 電池規格

注意！外部電池連接必須帶有電池 N 線。

| | |
|--------|--|
| 電池類型 | VRLA, 12 Vdc |
| 電池電壓範圍 | 320V~607V |
| 充電配置 | ABM 或浮充電 |
| 放電截至電壓 | 1.67VPC |
| 充電電流 | 配置： 15kVA 最大 15A, 可配置 20kVA 最大 20A, 可配置 30kVA 最大 30A, 可配置 40kVA 最大 40A, 可配置 50/60kVA 最大 60A, 可配置 80kVA 最大 80A, 可配置 |
| 電池啟動 | 可用 |
| 電池環境 | 放電：-20°C ~ +50°C 充電：0°C ~ +40°C 儲存：-15°C ~ +40°C 推薦工作和儲存溫度：+25 °C |

8.2.5 環境

| | |
|--------------|---|
| 運行環境溫度 | 0 ~ 40°C，推薦工作溫度25°C;40-50°C須降額使用。 |
| 儲存環境溫度 | -25°C ~ 55°C (-13°F ~ 131°F) (放置防護包材中) |
| 海拔高度 | UPS正常工作時的海拔要求為1500米(4921英尺)以下，如果客戶使用在2000米(6562英尺)以上，請撥打Eaton熱線獲取更多的資訊。 |
| 相對濕度 (儲存和工作) | 5%至95% 無冷凝 濕度計的乾球溫度與濕球溫度應當總是保持至少1攝氏度(1.8華氏度)的差別，以實現無凝露環境。 |
| 噪音 @1m | 在 1 米距離內： 20k:61dB; 30k-40k:66dB; 50k-80k:68dB，per ISO 7779 |
| EMC | Class: C3 (GB 7260.2 / IEC 62040-2) |

建議整機及備品儲存環境及儲存時間：

- 不能立即安裝和通電的設備應存放在室內且環境保持清潔、通風、溫度和濕度受控。儲存區域必須預防雨水、水、化學品和表 8-1 所示環境氣體以及滿足表 8-2 儲存時間 1 年以內的運輸與儲存環境要求。
- 請勿存將設備放在潮濕、溫度劇變、灰塵、污垢、碎石、油漆、導電顆粒或腐蝕性氣體等條件存在的區域。

- 在設備安裝之前，請勿拆除設備包裝。
- 接收設備的承包商有責任確保儲存期間的保護。
- 設備必須儲存於在堅固的水平地板上。
- 在設備到達之前，制定溫度、濕度環境受控計畫。

本產品適於 ANSI/ISA-71.04-2013 中定義的 G1 環境中安裝和使用。有關氣體濃度限制，請參閱表 8-1。

表8-1：ANSI/ISA-71.04-2013 表 B1 對G1設備所在環境氣體濃度的建議

| 污染物 | 氣體 | 氣體濃度/ppbv |
|-----|---------------------------------|-----------|
| A組 | H ₂ S | <3 |
| | SO ₂ SO ₃ | <10 |
| | Cl ₂ | <1 |
| | NO _x | <50 |
| B組 | HF | <1 |
| | NH ₃ | <500 |
| | O ₃ | <2 |

表8-2：儲存時間1年以內的運輸與儲存環境要求

| 儲存時間 1 年以內運輸與儲存環境 (根據機器序號標註的機器生產日期) | |
|--|-----------|
| 儲存地點 | 室內 |
| 灰塵 | 良好 |
| 儲存溫度 | < 40°C |
| 儲存濕度 | < 70% RH |
| 其他 | 需要附初始包裝保存 |

如果機器的實際儲存條件不符合上述儲存環境，請根據實際儲存環境重新評估儲存時間。

第 9 章 保固

伊頓公司承諾：提供自開機之日起**12**個月(開機需由伊頓或伊頓授權工程師自設備出廠**3**個月內完成)保固或按合約規定。

- 憑開機報告或合約規定的有效憑證保固；
- 憑機器生產序號保固。

如果維修不屬於保固範圍之內，則備件的運輸費用包含在維修報價中。如機器發生故障，請撥打伊頓服務熱線報修。

作為伊頓使用者，您享有如下服務：

- 一年保固(或遵照協議)；
- **7X24**小時熱線服務 伊頓服務熱線：0800-011-912；
- 線上技術服務支援：
網站 https://www.eaton.com/tw/zh-tw/support/Electrical_support.html
PQ產品售後服務與技術支援：servicetw@eaton.com
- 伊頓UPS保固期內提供免費上門維修服務。

伊頓公司標準保固服務承諾不適用於下列情況

- 非伊頓公司產品及部件；
- 超出保固期限；
- 使用了未經伊頓公司認可的非標準擴展部件（以隨機附贈的用戶使用手冊中的裝箱單為準）或週邊設備導致了伊頓公司標準部件損壞或者產生故障的；
- 機器序號被更改或丟失；
- 用戶未按說明書要求進行安裝、使用、維護、保管而造成損壞的；
- 未依照UPS電氣規格規定的供電條件或現場環境使用所導致的故障；
- 用戶購買後因運輸、移動、疏失等所造成故障或損壞；
- 未經伊頓公司授權許可，自行對UPS進行安裝調試，私自加以拆修、改裝或附加其它配件而造成的故障；
- 由自然災害（如地震、火災、水災等）或人為災難（如戰爭、暴力行為等）不可抗力造成的破壞。
- 其他並非產品（包括其部件）本身原因而導致的故障或損壞。

第 10 章 安裝檢查單

單機系統安裝清單

- 必須從機櫃上拆除所有的包裝材料和束縛零件。
- UPS 機櫃必須放置在要安裝的合適位置，請勿將 UPS 放置在空調出風口下方。
- 所有的線管和線纜應正確鋪設到 UPS 和其它任何輔助機櫃。
- 所有電源電纜應採用合適的規格並接到正確的端子上。
- 已經根據要求安裝了中性線。
- 正確安裝了地線。
- 電池線正負及電池 N 正確安裝。
- 外部告警已正確接線。（可選）
- 外部電池開關處於斷開狀態。
- 外部電池開關已經貼好警告標籤。
- LAN drops 已安裝。（可選）
- LAN 連接已完成。（可選）
- 遠端 EPO 設備已固定在合適的位置，配線已正確連接到 UPS 的相應埠上。（可選）
- 對於 UPS，如使用常閉 REPO 開關，REPO 端子排的第 3 和第 4 pin 腳由跳線連接。
- 所有端子蓋板已安裝。
- 附件已固定在其安裝位置，配線已經接入 UPS 機櫃內部。（可選）
- 防火泥已填充線纜與機櫃之間的縫隙。
- 空氣調節裝置已經安裝且運行正常。
- UPS 安裝地附近區域潔淨無塵。（Eaton 建議 UPS 安裝在適合電腦和電子設備的水準地板上）。
- UPS 及其它機櫃周圍有足夠的操作空間。
- UPS 裝置周圍有充足的光線。
- UPS 裝置周圍 7.5 米（25 英尺）內有一個 220 Vac 的供電插座。
- UPS 或附件箱的首次啟動和操作檢查由伊頓客戶服務工程師執行。

並機系統安裝清單

- UPS 系統中的每個機櫃必須放置在要安裝的合適位置，請勿將 UPS 放置在空調出風口下方。
- 所有的線管和線纜應正確鋪設到 UPS。
- 所有電源電纜應採用合適的規格並接到正確的端子上。
- 已經根據要求在機櫃間安裝了中性線。
- 正確安裝了地線。
- 正確安裝 UPS 之間的並機接線。
- 正確安裝並機接線。
- 防火泥已填充線纜與機櫃之間的縫隙。
- UPS 及其它機櫃周圍有足夠的操作空間。
- 並機系統或附件箱的啟動和操作檢查由伊頓客戶服務工程師執行。
- 電池線正負及電池 N 線正確且正確安裝。
- 外部電池開關處於斷開狀態。
- 外部電池開關已經貼好警告標籤。

附錄 A: 用戶設置

UPS 如下配置使用者可更改。在主頁顯示頁面，選擇設置。用戶設置

表11-1：使用者配置

修改配置設置，需要密碼登錄

| 設置 | 描述 |
|------|----------------|
| 資訊 | UPS 資訊，包括料號和序號 |
| 關於 | 版本資訊 |
| 清除狀態 | 清除告警狀態 |
| 清除告警 | 清除部份當前告警 |

表11-2：配置設置

| 設置 | 描述 |
|------------|---------------------------------|
| 語言 | 更改使用者介面語言 |
| UPS 名稱 | Eaton 93ETX |
| 時鐘 | 更改日期時間，更改時間格式或者使能 1 禁用 NTP 時鐘設置 |
| 螢幕保護裝置間隔時間 | 10min, 不可調 |
| HMI 背光 | 調整背光亮度 |
| 配置“設置密碼” | 預設密碼為 01010101. |
| 配置“控制密碼” | 預設密碼為 11111111. |

附錄 B: 產品中有害物質的名稱及含量

| 部件名稱 | 有害物質 | | | | | |
|-----------|--------|--------|--------|--------------|------------|--------------|
| | 鉛 (Pb) | 汞 (Hg) | 鎘 (Cd) | 六價鉻 (Cr(VI)) | 多溴聯苯 (PBB) | 多溴二苯醚 (PBDE) |
| 電池類 | × | ○ | ○ | ○ | ○ | ○ |
| 印刷電路組件 | × | ○ | ○ | ○ | ○ | ○ |
| 電源線插座端子 | × | ○ | ○ | ○ | ○ | ○ |
| 箱體五金類 | × | ○ | ○ | ○ | ○ | ○ |
| 開關 / 斷路器類 | ○ | ○ | × | ○ | ○ | ○ |

本表格依據 SJ/T 11364 的規定編制。

× : 表示該有害物質在該部件所有均質材料中的含量均在GB/T 26572規定的限量要求以下。

○ : 表示該有害物質至少在該部件的某一均質材料中的含量超出GB/T 26572規定的限量要求。

環保使用期限的免責條款：環保使用期限規定的具體期限僅為符合中華人民共和國的相應的法律規定，並非代表我向客戶提供保證或負有任何義務。環保使用期限中假定客戶按照操作手冊在正常情況下使用本產品。對於本產品中配備的某些組件（例如，裝有電池的組件）的環保使用期限，可能低於本產品的環保使用期限。





伊頓飛瑞慕品股份有限公司
EATON PHOENIXTEC MMPL CO., LTD

台北 新北市 221 汐止區大同路二段 125 號 9 樓 / TEL: (02) 6614-2000 FAX: (02) 8692-6868
台中 台中市 408 文心路一段 306 號 5 樓之一 / TEL: (04) 2328-1480 FAX: (04) 2322-7214
高雄 高雄市 802 苓雅區苓雅二路 203 號 11 樓 / TEL: (07) 334-9119 FAX: (07) 334-9099
eaton.com/tw ©2024 年 伊頓公司 版權所有 客服專線：0800-011-912

614-40316-00

